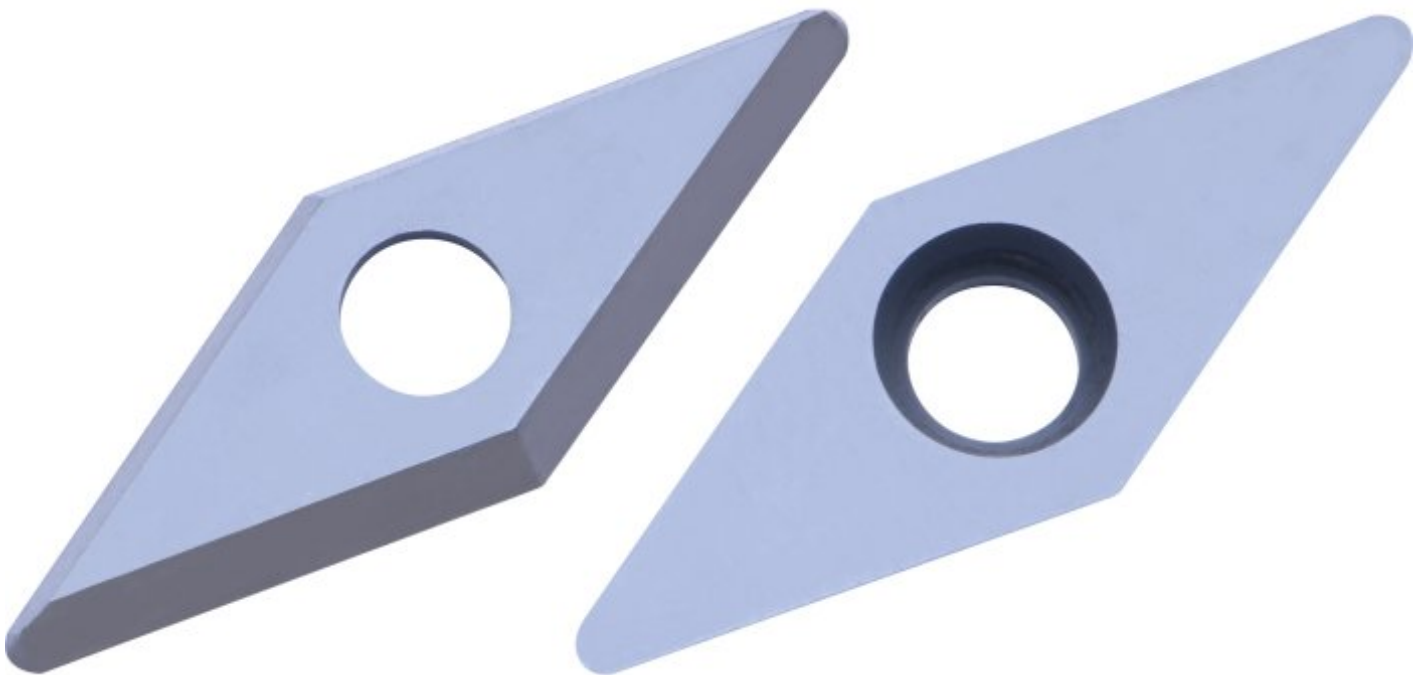


HAFCO-WOODMASTER

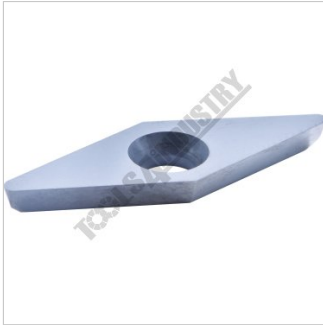


Diamond Carbide Insert

2 Piece Pack



HAFCO-WOODMASTER Diamond Carbide Insert



Low View

Description

Restore the performance of your carbide woodturning tools with these replacement diamond tungsten carbide inserts. The diamond-shaped profile is ideal for detailed shaping, fine finishing, and reaching into tight areas where larger cutters cannot access. Perfect for spindle work, coves, beads, and intricate turning applications.

Manufactured from premium tungsten carbide for exceptional wear resistance and long edge life, these inserts can be rotated to a fresh cutting edge when worn, eliminating the need for sharpening and keeping your tools ready for use.

Features

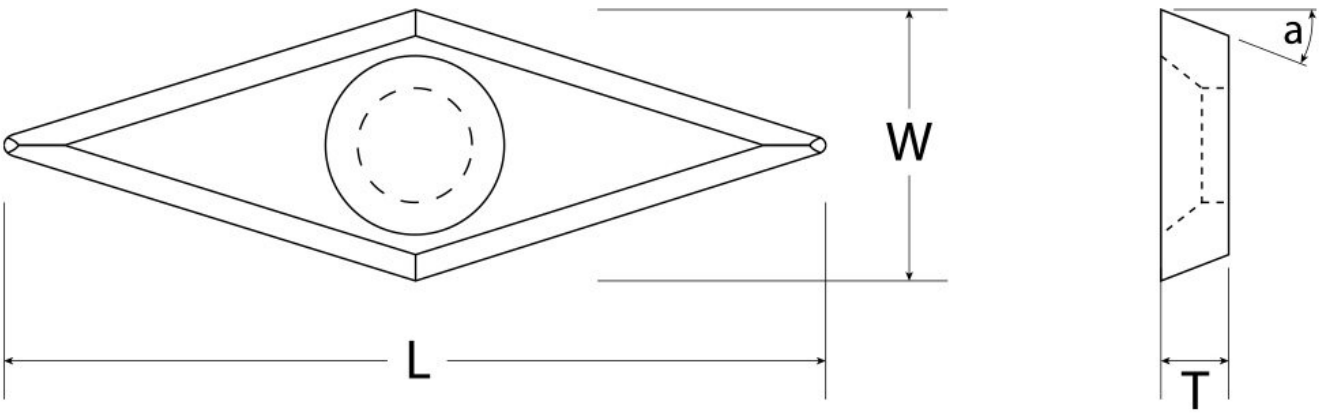
- Replacement diamond tungsten carbide inserts
- Suits compatible carbide woodturning tools
- Ideal for detailed shaping, fine finishing and intricate turning work
- Diamond profile provides excellent access to tight areas and fine details
- Long-lasting tungsten carbide cutting edge
- Rotatable design provides multiple usable cutting edges
- No sharpening required
- Supplied as a convenient 2-piece pack

Includes

- 2 Piece Pack

Specifications

HAFCO-WOODMASTER Diamond Carbide Insert



HAFCO-WOODMASTER Diamond Carbide Insert

ORDER CODE

HAFCO-WOODMASTER Diamond Carbide Insert

W30492

MODEL	~
Type	Diamond Carbide Insert
No. of Piece	2
Thread Size	~
D	~
L (mm)	28
W (mm)	10
T (mm)	2.5
a (deg)	27°
Suits	Wood Turning Tools - Insert Type