

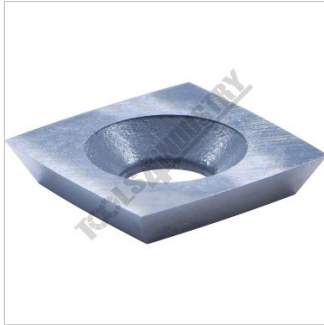
HAFCO-WOODMASTER



11mm - Square Radius Carbide Insert

2 Piece Pack



HAFCO-WOODMASTER 11mm - Square Radius Carbide Insert

Low View

Description

Keep your carbide woodturning tools cutting cleanly with these replacement square radius tungsten carbide inserts. The square radius profile combines the versatility of a square cutter with rounded corners to help reduce catches while producing smooth, controlled cuts. Ideal for roughing, shaping, and general turning applications on bowls, spindles, and other timber projects.

Manufactured from durable tungsten carbide for extended edge life, the inserts can be rotated to expose a fresh cutting edge when worn, eliminating the need for sharpening and minimising downtime.

Features

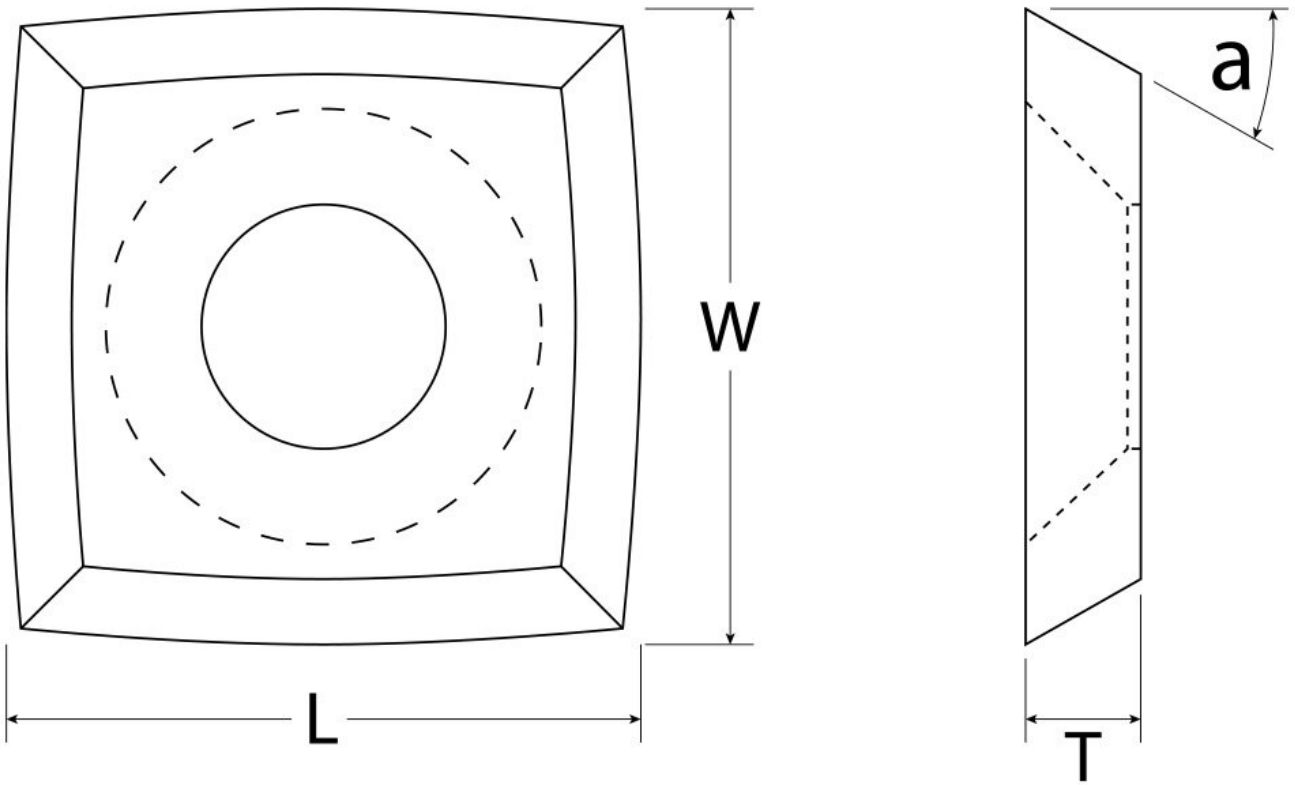
- Replacement square radius tungsten carbide inserts
- Suits compatible carbide woodturning tools
- Ideal for roughing, shaping and general-purpose turning
- Radiused corners help reduce catches and improve surface finish
- Long-lasting tungsten carbide cutting edge
- Rotatable design provides multiple usable cutting edges
- No sharpening required
- Supplied as a convenient 2-piece pack

Includes

- 2 Piece Pack

Specifications

HAFCO-WOODMASTER 11mm - Square Radius Carbide Insert



HAFCO-WOODMASTER 11mm - Square Radius Carbide Insert

ORDER CODE

HAFCO-WOODMASTER 11mm - Square Radius Carbide Insert

W30486

MODEL	~
Type	Square Radius Carbide Insert
No. of Piece	2
Thread Size	~
D	~
L (mm)	11
W (mm)	11
T (mm)	2
a (deg)	30°
Suits	Wood Turning Tools - Insert Type