

**HAFCO WCM-5S**



**Switchable Multi-Angle Welding Magnet**

**30°, 45°, 60°, 90° & 135° Degrees**



## HAFCO Switchable Multi-Angle Welding Magnet WCM-5S



Rear View



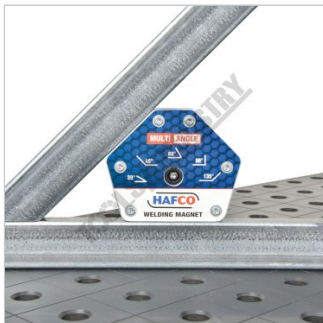
90 Degree Angle



75 Degree Angle



60 Degree Angle



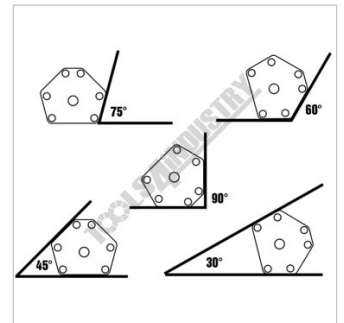
45 Degree Angle



30 Degree Angle



Round Pipe Compatibility



Overview

### Description

5 angle welding magnetic tool for use in the workshop & or on site.

With the added benefit of a convenient on/off switch you can securely hold material while providing you with an unobstructed area for tack welds. Use the outer edges of the corner magnet for setting up materials at 30°, 45°, 60°, 90° & 135°.

### Features

- Powerful magnet complete with on/off switch
- Multiple angle holds 30°, 45°, 60°, 90° & 135°
- Ideal for square tubing, angle and flat stock
- Easy to clean, simply turn off and wipe
- 15kg Max force
- \*Magnetic force is based on the longest side of Magnet with 10mm thick steel

**HAFCO Switchable Multi-Angle Welding Magnet WCM-5S****Specifications**

<b>ORDER CODE</b>	W1086
<b>MODEL</b>	WCM-5S
<b>Type</b>	Switchable Multi-Angle Welding Magnet
<b>Size</b>	~
<b>Quantity Per Pack (No.)</b>	1
<b>Magnet Clamp Angle (deg)</b>	30°, 45°, 60°, 90° & 135°
<b>Pull Force (kg)</b>	15
<b>Nett Weight (kg)</b>	0.4