

HAFCO WCM-3S



Switchable Multi-Angle Welding Magnet

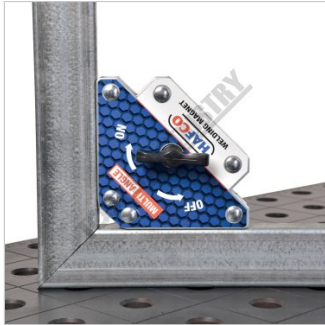
45°, 90°, 135° Degrees



HAFCO Switchable Multi-Angle Welding Magnet WCM-3S



Rear View



90 Degree Angle



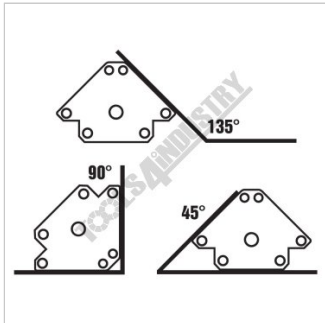
45 Degree Angle



135 Degree Angle



Round Pipe Compatibility



Overview

Description

3 angle welding magnetic tool for use in the workshop & or on site.

With the added benefit of a convenient on/off switch you can securely hold material while providing you with an unobstructed area for tack welds. Use the outer edges of the corner magnet for setting up materials at 45°, 90° & 135°.

Features

- Powerful magnet complete with on/off switch
- Multiple angle holds 45°, 90° & 135°
- Ideal for square tubing, angle and flat stock
- Easy to clean, simply turn off and wipe
- 15kg Max force
- *Magnetic force is based on the longest side of Magnet with 10mm thick steel

HAFCO Switchable Multi-Angle Welding Magnet WCM-3S

Specifications

ORDER CODE	W1085
MODEL	WCM-3S
Type	Switchable Multi-Angle Welding Magnet
Size	~
Quantity Per Pack (No.)	1
Magnet Clamp Angle (deg)	45°, 90° & 135°
Pull Force (kg)	15
Nett Weight (kg)	0.4