

HAFCO WCM-90HD



Switchable Multi-Angle Welding Magnet

45° & 90° Degrees



HAFCO Switchable Multi-Angle Welding Magnet WCM-90HD



Shown Set Up in 45 Degrees



Shown Set Up in 90 Degrees



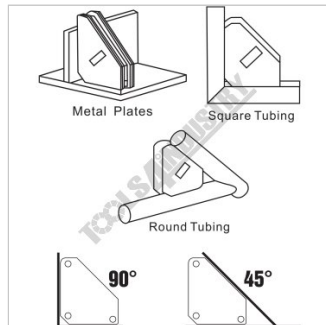
Shown Clamping Round Tube



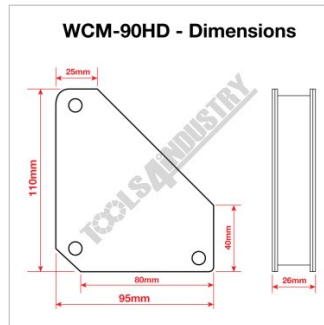
Shown with Optional Larger Magnet Switch W1072



Front View



2 Angles 45 and 90 Degrees



Dimensions

Description

Multi-Angle welding magnetic tool for use in the workshop & or on site.

With the added benefit of a convenient on/off switch you can securely hold material while providing you with an unobstructed area for tack welds. Use the outer edges of the corner magnet for setting up materials at 45° & 90°.

Features

- Powerful magnet complete with on/off switch
- Multi-Angle 45° & 90°
- Ideal for square tubing, angle and flat stock
- Easy to clean, simply turn off and wipe
- 40kg Max force
- *Magnetic force is based on the longest side of Magnet with 10mm thick steel

Specifications

ORDER CODE	W1071
MODEL	WCM-90HD
Type	Switchable Multi-Angle Welding Magnet
Size	95L x 110H x 26Wmm
Quantity Per Pack (No.)	1
Magnet Clamp Angle (deg)	45°, 90°
Pull Force (kg)	40
Nett Weight (kg)	0.68