

**HAFCO SDC-50**

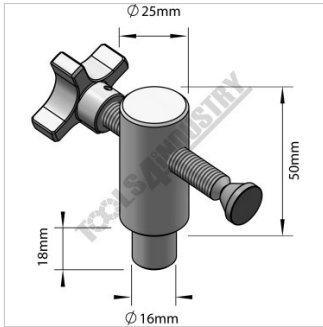


**50mm Side Clamp (2 Piece Pack)**

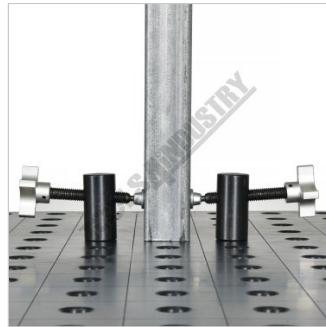
**Ø16mm Spigot**



## HAFCO 50mm Side Clamp (2 Piece Pack) SDC-50



Dimensions



Clamp Position

### Description

Side clamps are used as a quick & easy to use low profile option to add horizontal clamping to your work piece. They can be used in any of the 16mm table or fixture element holes giving you endless flexibility in your clamping tasks.

### Features

- Ø16mm spigot to suit table or fixture element holes
- Aluminium handle with swivel clamping pad
- CNC machined surfaces to ensure precision tolerances
- Burnished finish surface treatment to prevent rust
- 2 Pack

### Specifications

<b>ORDER CODE</b>	W08508
<b>MODEL</b>	SDC-50
	50mm
<b>Mount Type</b>	Ø16mm Spigot
<b>Suits Table Hole Size (Ø)</b>	16mm
<b>Throat Depth (mm)</b>	~
<b>Clamp Height Opening (mm)</b>	~
<b>Clamping Force (kg)</b>	~
<b>Quantity Per Pack (No.)</b>	2
<b>Nett Weight (kg)</b>	1.0