

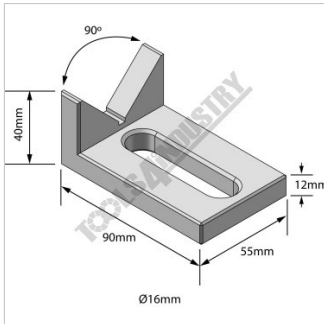
METALMASTER WT16-VSS90



90° V-Square Support



METALMASTER 90° V-Square Support WT16-VSS90



Dimensions



Rear View

Description

This precision machined V-Square can assist in supporting round material & can be used on any welding table with 16mm fixturing holes. They can be used as a stop, V-support, or a platform to allow for infinite adjustments in fixturing.

Features

- Precision machined
- 90 Degree V
- Slotted base for adjustable positioning
- Suits Ø16mm Welding Tables Holes

Specifications

ORDER CODE	W07884
MODEL	WT16-VSS90
Suits Table Hole Diameter (Ø)	~
Type	V-Square Support
Degree Opening	90
Size	~
Quantity Per Pack (No.)	~
Suits	~
Nett Weight (kg)	1.0