

**METALMASTER WT16-TB130**

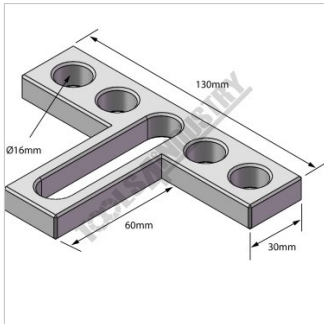


**T Bracket**

**130 x 90 x 30mm, 4 Holes, 1 Slot**



**METALMASTER T Bracket WT16-TB130**



Dimensions



T Bracket 130 x 90 x 30mm



Shown on Welding Table

**Description**

These precision machined L bracket ideal for jiggling square frames on any welding table with 16mm fixturing holes. They can be used as a stop, table extension or a platform to allow for infinite adjustments in fixturing.

**Features**

- 16mm precision bored holes
- Precision machined slot
- All plates are 12mm thick

**Specifications**

|   |            |
|---|------------|
| <b>ORDER CODE</b>                         | W07857     |
| <b>MODEL</b>                              | WT16-TB130 |
| <b>Type</b>                               | T Bracket  |
| <b>Suits Table Hole Diameter (Ø (mm))</b> | Ø16mm      |
| <b>Size (mm)</b>                          | ~          |
| <b>Slot Length (mm)</b>                   | ~          |
| <b>Nett Weight (kg)</b>                   | 2.5        |