

METALMASTER WT16-LB155

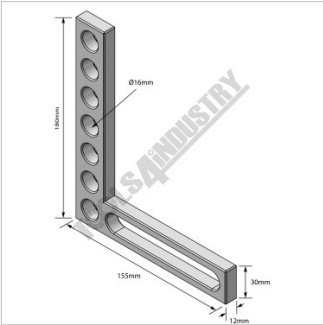


L Bracket

155 x 180 x 30mm, 7 Holes, 1 Slot



METALMASTER L Bracket WT16-LB155



Dimensions



Shown on Welding Table

Description

These precision machined L bracket ideal for jiggling square frames on any welding table with 16mm fixturing holes. They can be used as a stop, table extension or a platform to allow for infinite adjustments in fixturing.

Features

- 16mm precision bored holes
- Precision machined slot
- 12mm thick plate

Specifications

| | |
|---|------------|
| ORDER CODE | W07855 |
| MODEL | WT16-LB155 |
| Type | L Bracket |
| Suits Table Hole Diameter (Ø (mm)) | Ø16mm |
| Size (mm) | ~ |
| Slot Length (mm) | ~ |
| Nett Weight (kg) | 2.0 |