

**METALMASTER WT16-AB443**



**Right Angle Bracket / Stop**

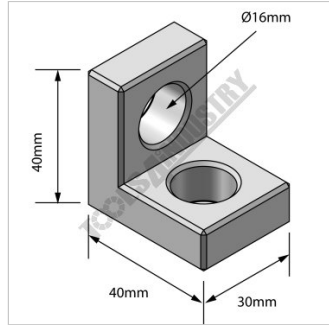
**40 x 40 x 30mm**



**METALMASTER Right Angle Bracket / Stop WT16-AB443**



Angle Bracket 40x40x30mm



Dimensions



Shown On Welding Table

**Description**

These precision machined angle brackets hold materials at 90° on any welding table with 16mm fixturing holes. They can be used as a stop, table extension or a platform to allow for infinite adjustments in fixturing.

**Features**

- 2 x 16mm precision bored holes
- All plates are 12mm thick

**Specifications**

<b>ORDER CODE</b>	W07840
<b>MODEL</b>	WT16-AB443
<b>Type</b>	Right Angle Bracket / Stop
<b>Suits Table Hole Diameter (Ø (mm))</b>	Ø16mm
<b>Size (mm)</b>	~
<b>Slot Length (mm)</b>	~
<b>Nett Weight (kg)</b>	0.10