

SAFEWAY MD-200A



Safeway Stepped Moveable Hardened Jaw - 200mm



SAFEWAY Safeway Stepped Moveable Hardened Jaw - 200mm MD-200A

Description

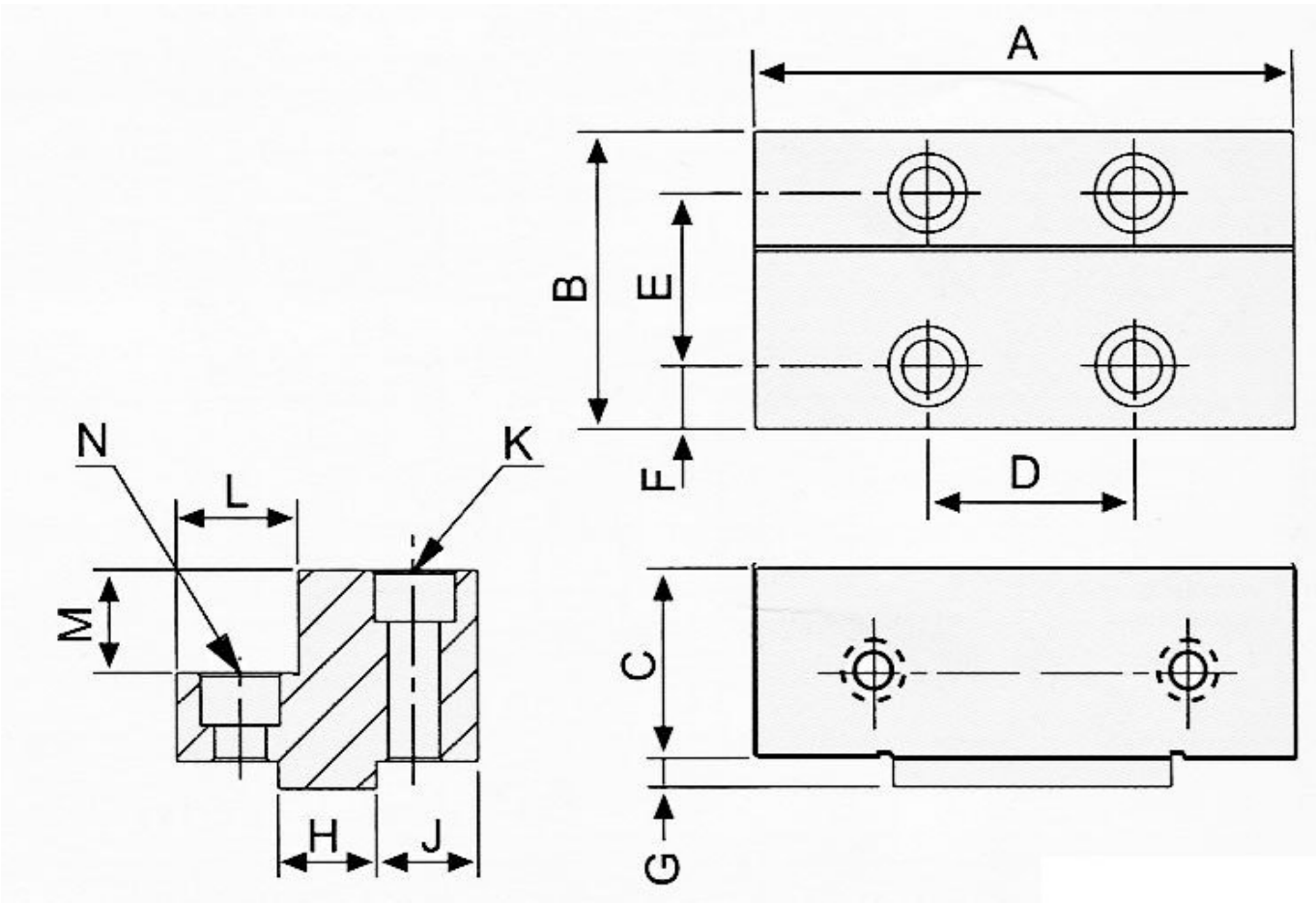
Additional stepped stationary jaw designed to be used when thin work is to be held.

Suits - SAFEWAY VHV-200V - Compact Hydraulic Machine Vice (V3565)

Features

- Hardened and Ground to HRC52°-55°
- Easy to change

Specifications



ORDER CODE	V3582
MODEL	MD-200A
Type	Step Jaw - Moveable
A (mm)	200
B (mm)	97
C (mm)	60

SAFeway Safeway Stepped Moveable Hardened Jaw - 200mm MD-200A

D (mm)	74
E (mm)	59
F (mm)	19
G (mm)	9.5
H (mm)	28
J (mm)	34.5
K (mm)	M16 x 70 Long
L (mm)	38
M (mm)	30
N (mm)	M16 x 40 Long
Nett Weight (kg)	7