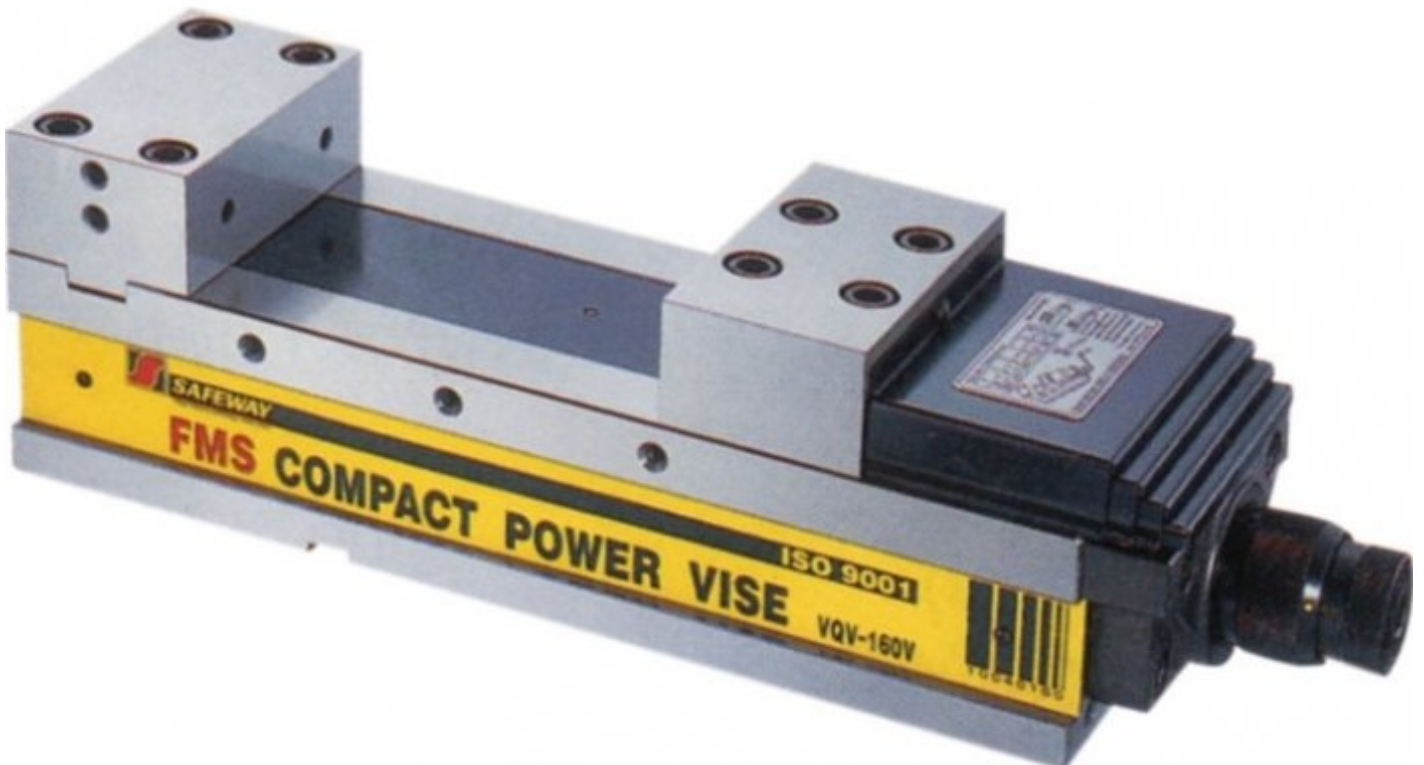


SAFEWAY VQV-200V



Safeway Compact Power Machine Vice

200 x 350mm



SAFEWAY Safeway Compact Power Machine Vice VQV-200V

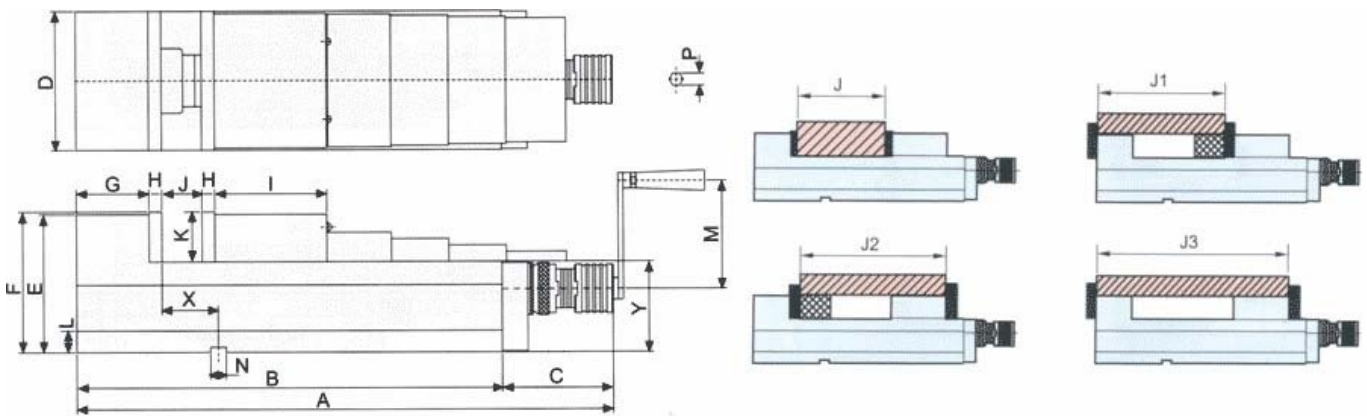
Description

Precision Power Machine Vice with modular jaws. Replaceable jaws allow for special purpose holding of components. The spindle allows for pre-setting of the clamping pressure

Features

- Power pre-set operation
- Maximum opening capacity yet compact in overall length
- Toleranced all over for use with other vices as matched pairs
- Rigid material- Ductile Iron FCD60 JIS. Equal to GGG60. 80,000 psi tensile strength.
- Flame hardened to HRC 45
- Chip cover to protect leadscrew
- Jaws hardened to HRC 52-55

Specifications



ORDER CODE	V358
MODEL	VQV-200V
Jaw Width (mm)	200
Pressure (kgf)	8036
A (mm)	661
B (mm)	555
C (mm)	106
D (mm)	201
E (mm)	194
F (mm)	170
G (mm)	100
I (mm)	97
J (mm)	0 - 350
K (mm)	60
M (mm)	125

SAFEWAY Safeway Compact Power Machine Vice VQV-200V

N (mm)	18
X (mm)	92
Y (mm)	110
Nett Weight (kg)	93