

**SAFEWAY VHV-160V**



**Safeway Compact Hydraulic Machine Vice**

**160mm Jaw Width**



**SAFEWAY Safeway Compact Hydraulic Machine Vice VHV-160V**



VHV 160V

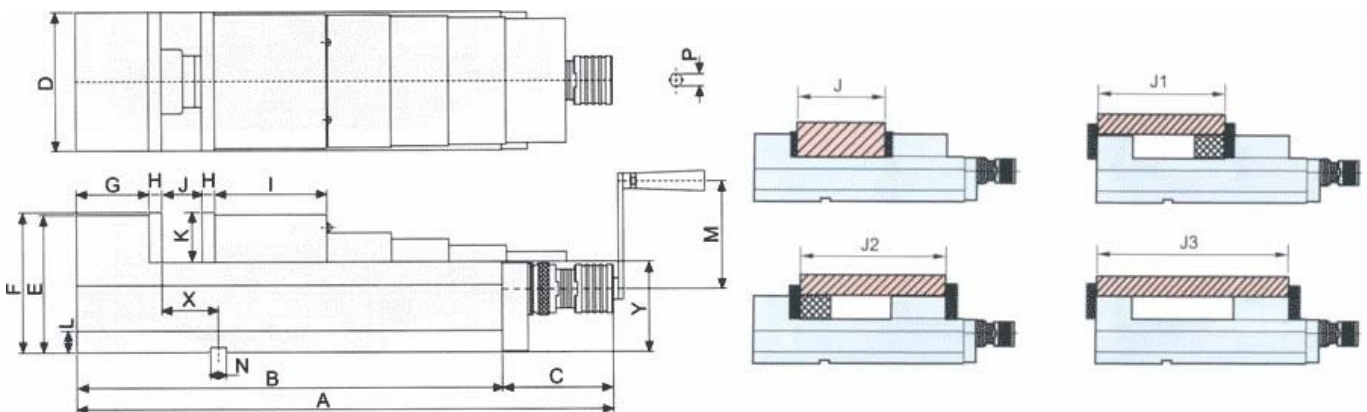
**Description**

Precision Hydraulic Machine Vice with modular jaws. Replaceable jaws allow for special purpose holding of components.

**Features**

- Hydraulic or manual operation
- Maximum opening capacity yet compact in overall length
- Toleranced all over for use with other vices as matched pairs
- Rigid material- Ductile Iron FCD60 JIS. Equal to GGG60. 80,000 psi tensile strength.
- Flame hardened to HRC 45
- Chip cover to protect leadscrew
- Jaws hardened to HRC 52-55

**Specifications**



<b>ORDER CODE</b>	V356
<b>MODEL</b>	VHV-160V
<b>Jaw Width (mm)</b>	160
<b>D - Jaw Width (mm)</b>	161

**SAFEWAY Safeway Compact Hydraulic Machine Vice VHV-160V**

<b>J - Jaw Opening (mm)</b>	300
<b>J1 - Jaw Opening with Optional Jaws (mm)</b>	~
<b>J2 - Jaw Opening with Optional Jaws (mm)</b>	~
<b>J3 - Jaw Opening with Optional Jaws (mm)</b>	~
<b>K - Jaw Height (mm)</b>	55
<b>Pressure (kgf)</b>	7546
<b>A (mm)</b>	610
<b>B (mm)</b>	475
<b>C (mm)</b>	135
<b>E (mm)</b>	152
<b>F (mm)</b>	160
<b>G (mm)</b>	86
<b>H (mm)</b>	~
<b>I (mm)</b>	86
<b>L (mm)</b>	~
<b>M (mm)</b>	125
<b>N (mm)</b>	18
<b>P (mm)</b>	~
<b>X (mm)</b>	65
<b>Y (mm)</b>	105
<b>Nett Weight (kg)</b>	59