

**SAFEWAY CV-130V**



**Safeway Compact Mechanical Machine Vice**

**131 x 180mm**



## SAFEWAY Safeway Compact Mechanical Machine Vice CV-130V

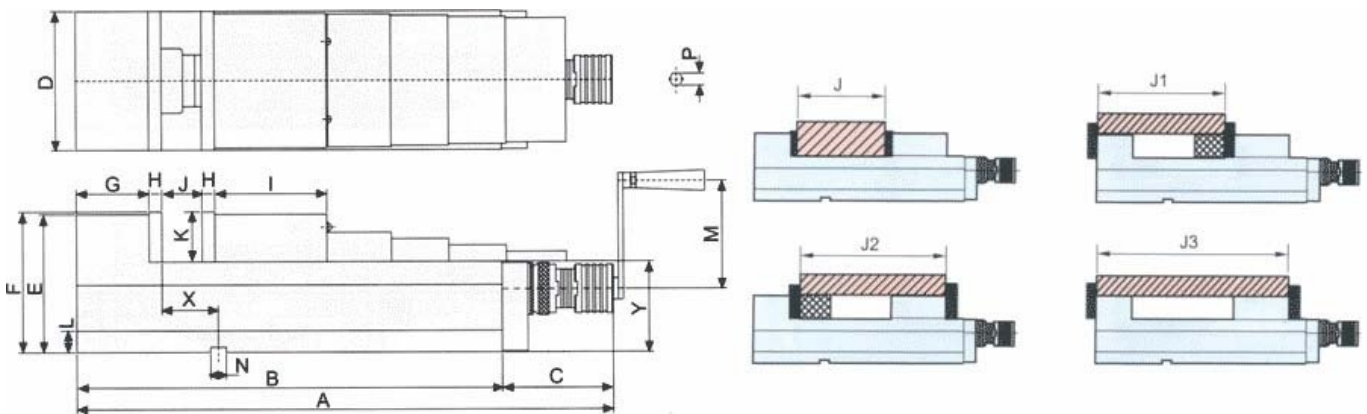
### Description

Precision Machine Vice with replaceable jaws allow for special purpose holding of components.

### Features

- Semi-spherical segment eliminates jaw lifting & work piece tilting
- One piece casting bed and fixed jaw
- Rigid material- Ductile Iron FCD60 JIS. Equal to GGG60. 80,000 psi tensile strength.
- Maximum opening capacity yet compact in overall length
- Tolerance all over for use with other vices as matched pairs
- Flame hardened to HRC 45
- Chip cover to protect leadscrew
- Jaws hardened to HRC 52-55

### Specifications



<b>ORDER CODE</b>	V338
<b>MODEL</b>	CV-130V
<b>Jaw Width (mm)</b>	131
<b>Pressure (kgf)</b>	5292
<b>A (mm)</b>	495
<b>B (mm)</b>	405
<b>C (mm)</b>	90
<b>D (mm)</b>	131
<b>E (mm)</b>	147
<b>F (mm)</b>	150
<b>G (mm)</b>	70
<b>I (mm)</b>	115
<b>J (mm)</b>	0 - 180
<b>K (mm)</b>	55
<b>M (mm)</b>	260

**SAFEWAY Safeway Compact Mechanical Machine Vice CV-130V**

<b>N (mm)</b>	18
<b>X (mm)</b>	65
<b>Y (mm)</b>	95
<b>Nett Weight (kg)</b>	39