

SAFEWAY CHV-200V

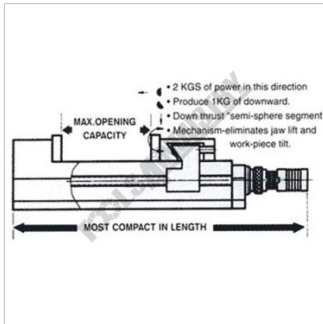


Safeway Compact Hydraulic Vice

200mm Jaw Width



SAFEMET Precision Compact Hydraulic Vice CHV-200V



Insert



Front View



Low View

Description

Safemetal Precision 200mm Compact Hydraulic Vice for use where precise work holding is required in a restricted space.

Features

- Precision ground on all surfaces
- Flame-hardened bed to HRC 45
- Semi-sphere to eliminate jaw lift
- Swarf covers over leadscrew
- Toleranced for use as matched pairs

Specifications

| | |
|---|-----------|
| ORDER CODE | V323 |
| MODEL | CHV-200V |
| Jaw Width (mm) | 200 |
| D - Jaw Width (mm) | 201 |
| J - Jaw Opening (mm) | 280 |
| J1 - Jaw Opening with Optional Jaws (mm) | 280 - 360 |
| J2 - Jaw Opening with Optional Jaws (mm) | 280 - 420 |
| J3 - Jaw Opening with Optional Jaws (mm) | 280 - 540 |
| K - Jaw Height (mm) | 63 |
| Pressure (kgf) | 7000 |
| A (mm) | 705 |
| B (mm) | 570 |
| C (mm) | 135 |
| E (mm) | 170 |
| F (mm) | 173 |
| G (mm) | 90 |
| H (mm) | 18 |
| I (mm) | 150 |
| L (mm) | 22 |
| M (mm) | 125 |
| N (mm) | 18 |
| P (mm) | 14 |

SAFEWAY Safeway Compact Hydraulic Vice CHV-200V

| | |
|-------------------------|-----|
| X (mm) | 82 |
| Y (mm) | 110 |
| Nett Weight (kg) | 80 |