

**SAFEWAY CQV-160V**



**Safeway Compact Power Machine Vice**

**160 x 300mm**



## SAFEWAY Safeway Compact Power Machine Vice CQV-160V

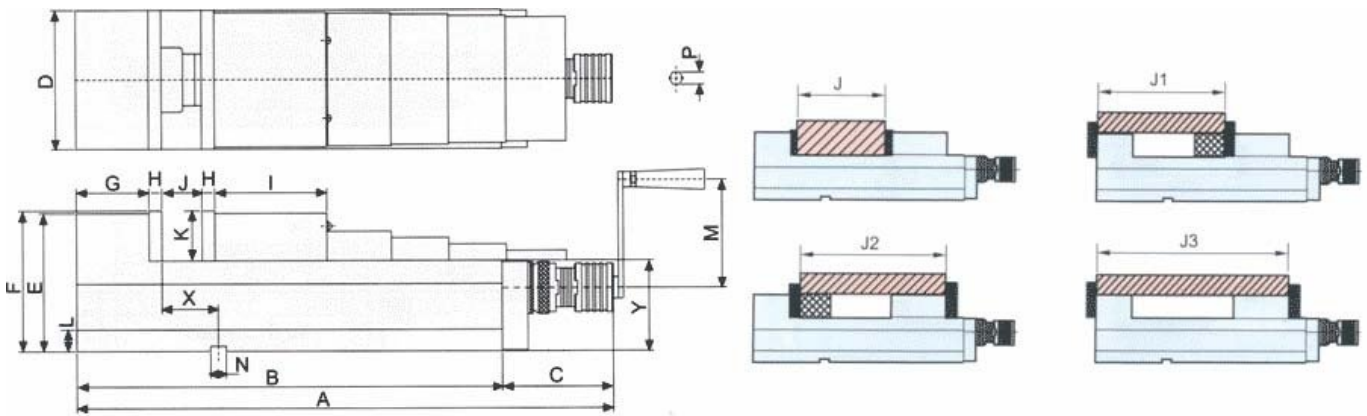
### Description

Compact design power vice that allows you to set a pre-set pressure which is repeated each time you close the vice. Mechanically operated with a two speed system.

### Features

- Clamping system mechanical power
- Clamping power indicating graduations are engraved on the vice handle to show instantly the figure of clamping force in tons
- Semi-spherical segment eliminates jaw lifting and work piece tilting
- Rigid-material Ductile line FCD600 JIS (equal to GGG-60) with
- 60 kilograms / MM2 or 80 thousand PSI tensile strength
- Vice bed flame hardened to HRC45°
- Chip covers on each vice prevent chips falling into leadscrew
  
- CLAMPING FORCE DIAL
- 0 = 5(490) KN(kgf)
- 1 = 12(1176) KN(kgf)
- 2 = 21(2058) KN(kgf)
- 3 = 43(4214) KN(kgf)
- 4 = 54(5292) KN(kgf)

### Specifications



|                       |          |
|-----------------------|----------|
| <b>ORDER CODE</b>     | V3221    |
| <b>MODEL</b>          | CQV-160V |
| <b>Jaw Width (mm)</b> | 160      |
| <b>Pressure (kgf)</b> | 5292     |
| <b>A (mm)</b>         | 625      |
| <b>B (mm)</b>         | 495      |
| <b>C (mm)</b>         | 130      |

### SAFeway Safeway Compact Power Machine Vice CQV-160V

|                         |         |
|-------------------------|---------|
| <b>D (mm)</b>           | 161     |
| <b>E (mm)</b>           | 160     |
| <b>F (mm)</b>           | 163     |
| <b>G (mm)</b>           | 85      |
| <b>I (mm)</b>           | 130     |
| <b>J (mm)</b>           | 0 - 240 |
| <b>K (mm)</b>           | 58      |
| <b>M (mm)</b>           | 125     |
| <b>N (mm)</b>           | 18      |
| <b>X (mm)</b>           | 65      |
| <b>Y (mm)</b>           | 105     |
| <b>Nett Weight (kg)</b> | 58      |