

SAFEWAY CHV-160V

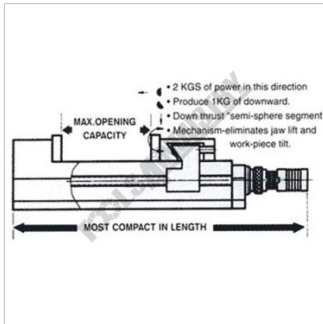


Safeway Compact Hydraulic Vice

160mm Jaw Width



SAFEMET Precision Compact Hydraulic Vice CHV-160V



Insert



Front View



Low View

Description

Safemet Precision 160mm Compact Hydraulic Vice for use where precise work holding is required is a restricted space.

Features

- Precision ground on all surfaces
- Flame-hardened bed to HRC 45
- Semi-sphere to eliminate jaw lift
- Swarf covers over leadscrew
- Toleranced for use as matched pairs

Specifications

ORDER CODE	V322
MODEL	CHV-160V
Jaw Width (mm)	160
D - Jaw Width (mm)	161
J - Jaw Opening (mm)	240
J1 - Jaw Opening with Optional Jaws (mm)	240 - 320
J2 - Jaw Opening with Optional Jaws (mm)	240 - 360
J3 - Jaw Opening with Optional Jaws (mm)	240 - 470
K - Jaw Height (mm)	58
Pressure (kgf)	5500
A (mm)	630
B (mm)	495
C (mm)	135
E (mm)	160
F (mm)	163
G (mm)	85
H (mm)	15
I (mm)	130
L (mm)	22
M (mm)	125
N (mm)	18
P (mm)	14

SAFEWAY Safeway Compact Hydraulic Vice CHV-160V

X (mm)	65
Y (mm)	105
Nett Weight (kg)	58