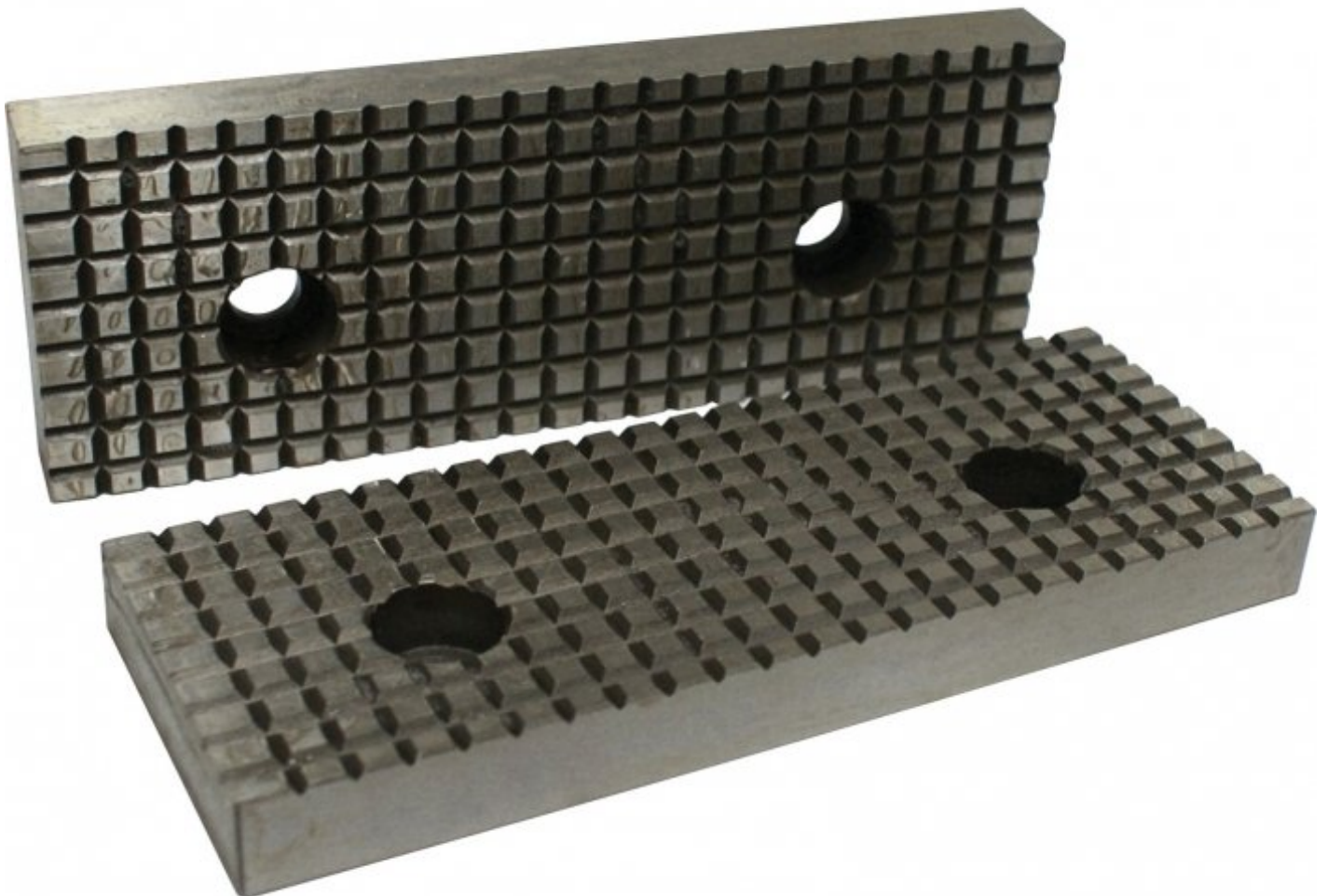


**SAFEWAY RJ-200V**



**Safeway Serrated Hardened Jaws - 200mm**



**SAFEWAY Safeway Serrated Hardened Jaws - 200mm RJ-200V**

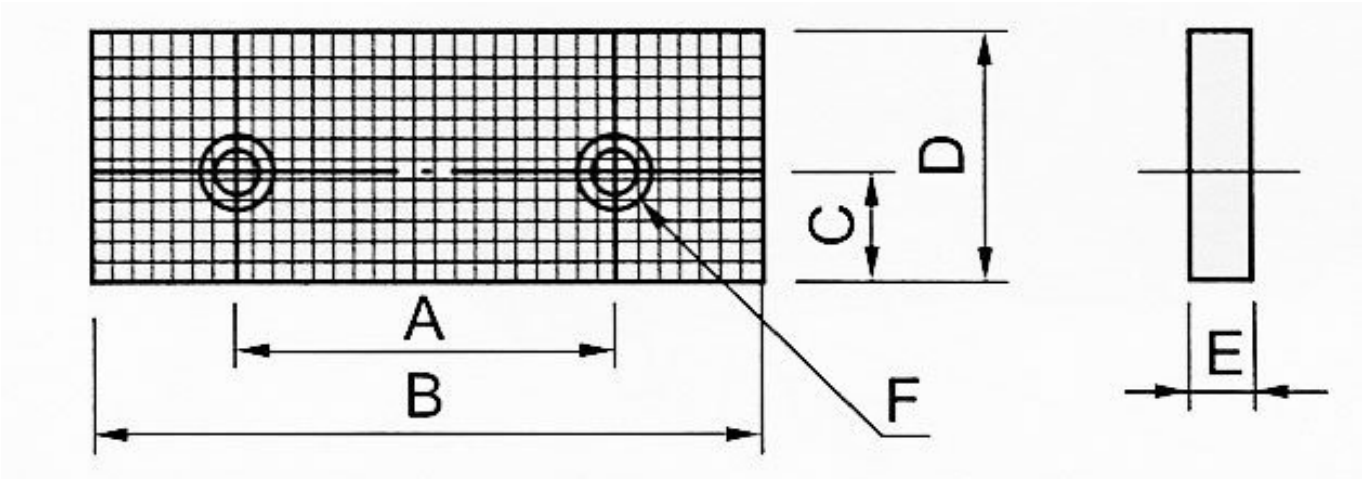
**Description**

Special application jaws to suit SAFEWAY vice.  
Suitable for applications where castings or rough finish pieces need to be clamped.

**Features**

- Hardened Jaws to HRC55°-58°
- Supplied in pairs

**Specifications**



<b>ORDER CODE</b>	V3213
<b>MODEL</b>	RJ-200V
<b>Type</b>	Serrated Jaws
<b>A (mm)</b>	120
<b>B (mm)</b>	200
<b>C (mm)</b>	28
<b>D (mm)</b>	63
<b>E (mm)</b>	18
<b>F (mm)</b>	M12 x 25 Long
<b>G (mm)</b>	~
<b>H (mm)</b>	~
<b>J (mm)</b>	~
<b>K (mm)</b>	~
<b>L (mm)</b>	~
<b>M (mm)</b>	~
<b>N (mm)</b>	~
<b>Nett Weight (kg)</b>	4