

SAFEWAY SJ-100V



Safeway Stepped Hardened Jaws - 100mm



SAFEWAY Safeway Stepped Hardened Jaws - 100mm SJ-100V

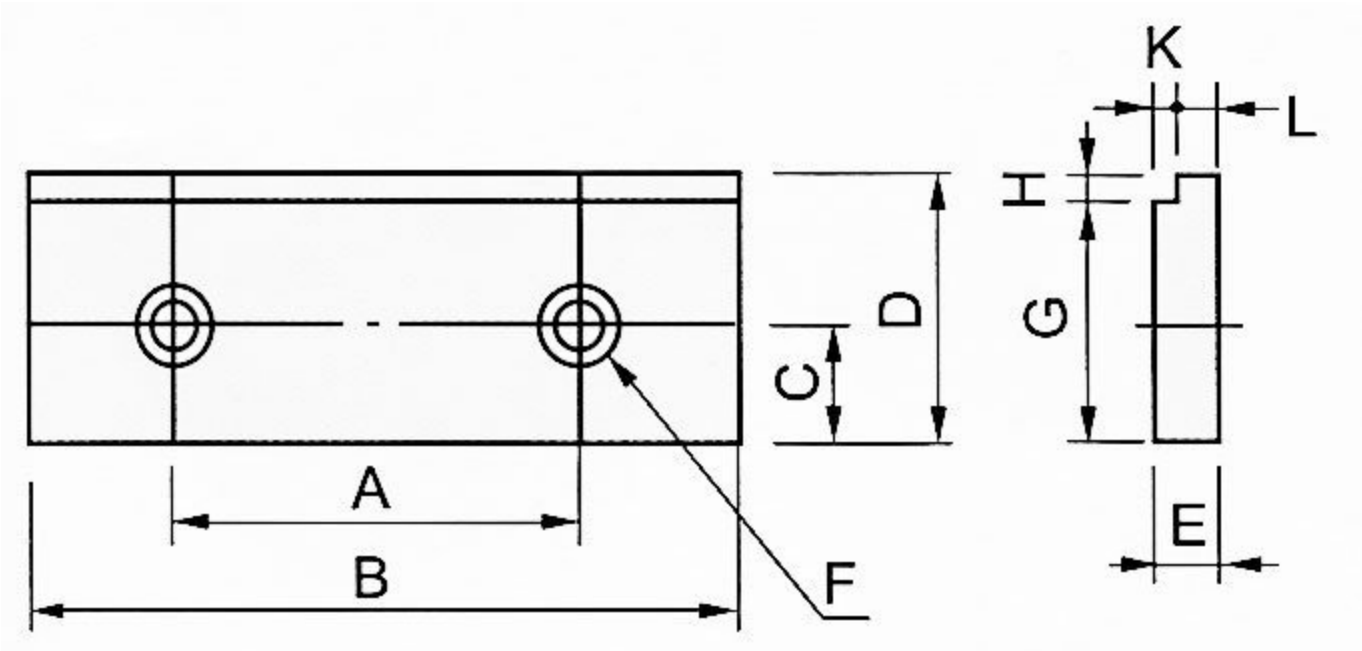
Description

Hardened jaws suitable for clamping work pieces where the finished surface is smooth and needs to be protected.

Features

- Hardened Jaws to HRC55° -58°
- Supplied in pairs

Specifications



ORDER CODE	V3196
MODEL	SJ-100V
Type	Step Jaws
A (mm)	60
B (mm)	100
C (mm)	22
D (mm)	48
E (mm)	15
F (mm)	M10 x 20 Long
G (mm)	43
H (mm)	5
J (mm)	~
K (mm)	5
L (mm)	10
M (mm)	~
N (mm)	~
Nett Weight (kg)	3

SAFEWAY Safeway Stepped Hardened Jaws - 100mm SJ-100V