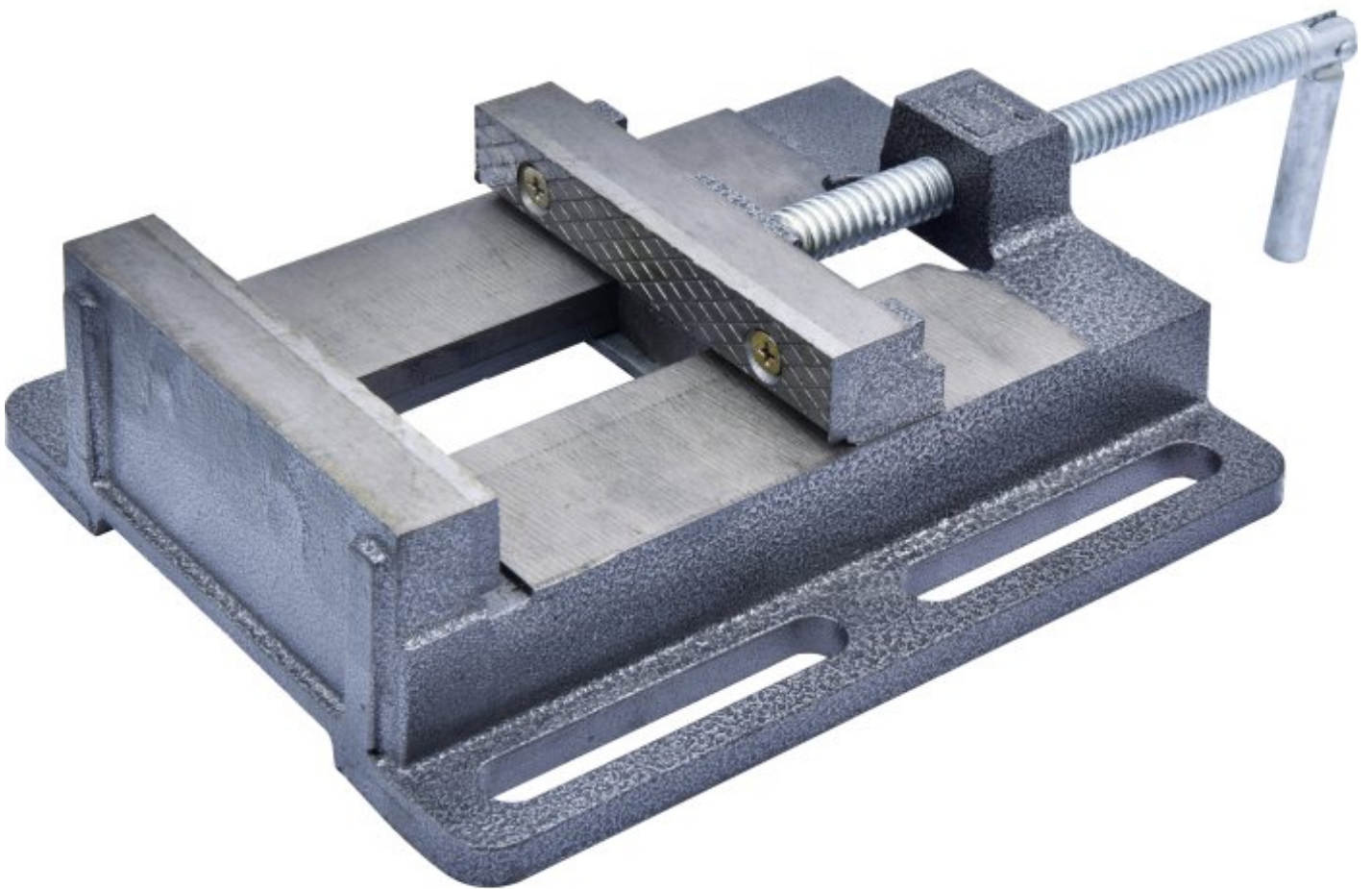


**HAFCO Standard**



**Drill Press Vice**

**127mm Jaw Width**



**HAFCO Drill Press Vice Standard**

Rear View

**Description**

Manufactured from close grain cast iron.

**Specifications**

<b>ORDER CODE</b>	V125
<b>MODEL</b>	~
<b>Type</b>	Drill Vice
<b>Jaw Width (mm)</b>	127
<b>Jaw Opening (mm)</b>	125
<b>Jaw Depth (mm)</b>	23
<b>Nett Weight (kg)</b>	5