



SUTTON TOOLS T9011200

M12 X 1.75mm Straight Flute HSGT 3pc Tap Set

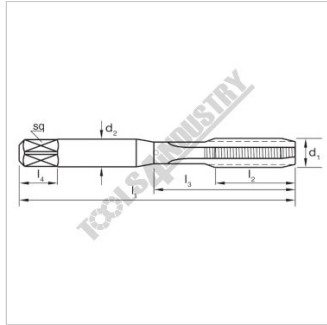
Metric Coarse



SUTTON TOOLS M12 X 1.75mm Straight Flute HSGT 3pc Tap Set T9011200



Starter Intermediate & Plug Tap



Diagram

Description

The Sutton Tools Tap Set is designed for general purpose use and is suitable for materials up to 1000N/mm². It can be used for both hand and machine operations, making it versatile for various applications. With depths up to approximately 1 x d₁, this tap set provides reliable performance and precision.

Features

- General Purpose Use
- Suitable for Materials up to 1000N/mm²
- Suitable for Hand and Machine Operations
- Depths up to 1 x D1

Includes

- 1 X Taper
- 1 X Intermediate
- 1 X Bottoming

Specifications

ORDER CODE	~T8106
Size	~M2 X 1.75mm
Pitch	~1.75mm
Pitch Type	~Metric Course
Flute Type	~Straight
Thread Form	~Metric
Max Cut Depth	~1 x D
Nut Tolerance	~
Standard	~ISO 529