

TOOLMASTER MAS P50T 45° Type 1



Pull Stud

BT-50



TOOLMASTER Pull Stud MAS P50T 45° Type 1



Side View



Front View



Rear View

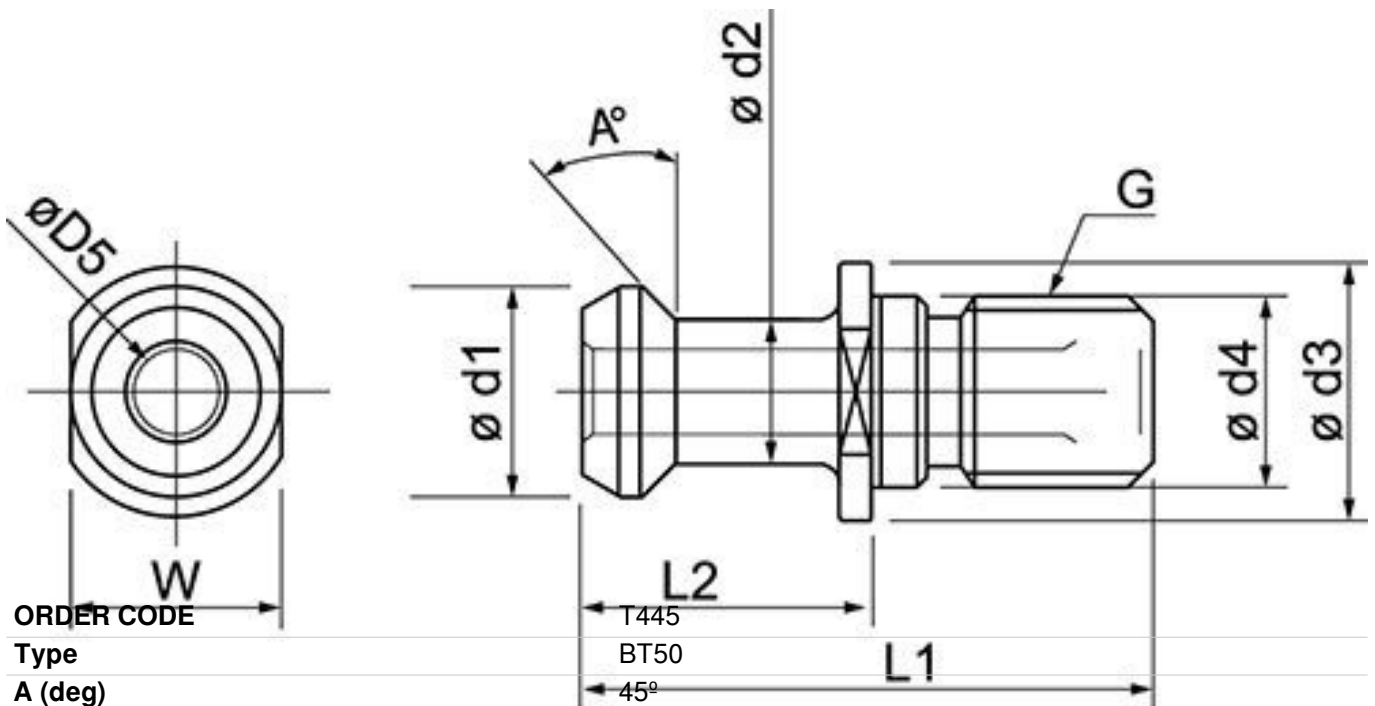
Description

Precision ground
Through Coolant

Features

- Through coolant with M24 thread
- MAS403BT50 Standard

Specifications



ORDER CODE	T445
Type	BT50
A (deg)	45°
G (mm)	M24
d1 (mm)	23.0
d2 (mm)	17.0
d3 (mm)	38.0
d4 (mm)	25.0
D5 (mm)	8.0

TOOLMASTER Pull Stud MAS P50T 45° Type 1

L1 (mm)	85.00
L2 (mm)	45.50
W (mm)	30.0