

**TOOLMASTER**



**BT40 x ER32-70 Balanced Collet Chuck**

**Ø2-Ø20mm Range**



**TOOLMASTER BT40 x ER32-70 Balanced Collet Chuck**



Vertical View

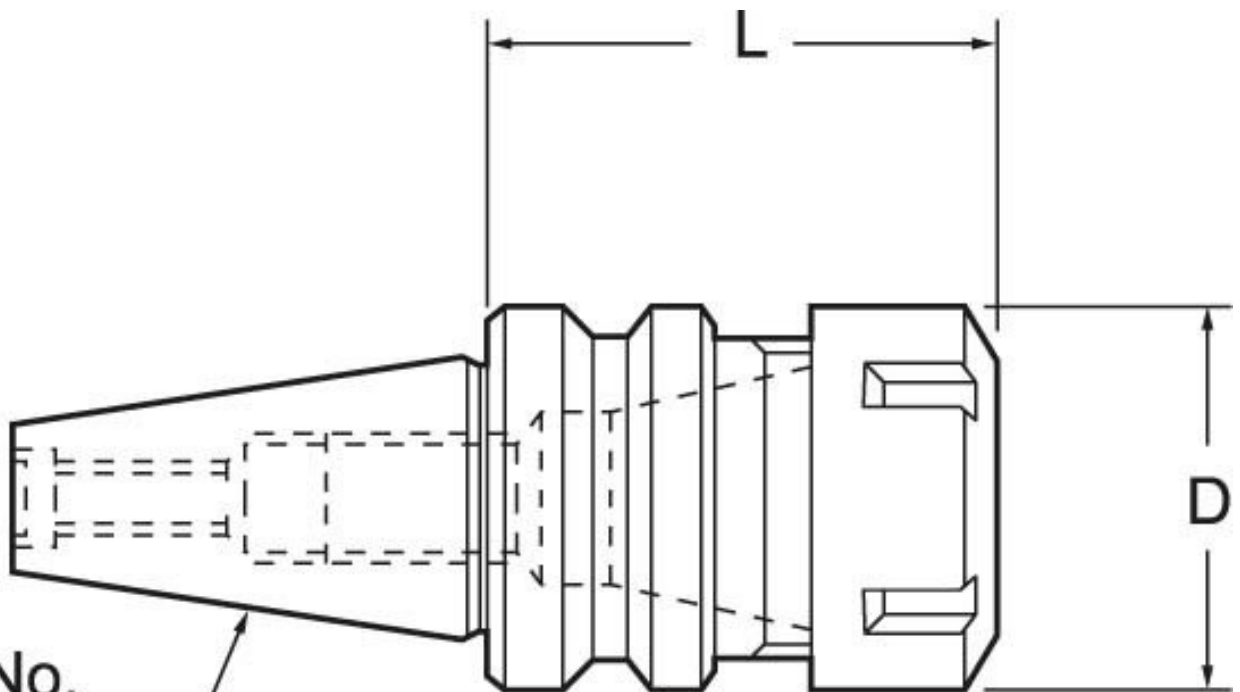
**Description**

All BT collet chucks meet the specifications of machine tool builders (DIN 2080 taper Shank Grade AT-3 - 85% taper contact)

**Features**

- Precision ground
- Manufactured to MAS403BT40 standard
- M16 Pull Stud thread
- 70mm extension from the gauge line
- Locking spanner not included

**Specifications**



**BT. No.**

<b>ORDER CODE</b>	T2201
<b>MODEL</b>	BT40 x ER32-70
<b>Speed Rating (rpm)</b>	15,000
<b>Taper (BT)</b>	BT40

**TOOLMASTER BT40 x ER32-70 Balanced Collet Chuck**

<b>Capacity (mm)</b>	2 - 20
<b>L (mm)</b>	70
<b>D (mm)</b>	50
<b>Collet Type (ER)</b>	ER32
<b>Nett Weight (kg)</b>	1.7