



TOOLMASTER

BT40 x ER25-100 Collet Chuck

Ø2-Ø16mm Range



TOOLMASTER BT40 x ER25-100 Collet Chuck

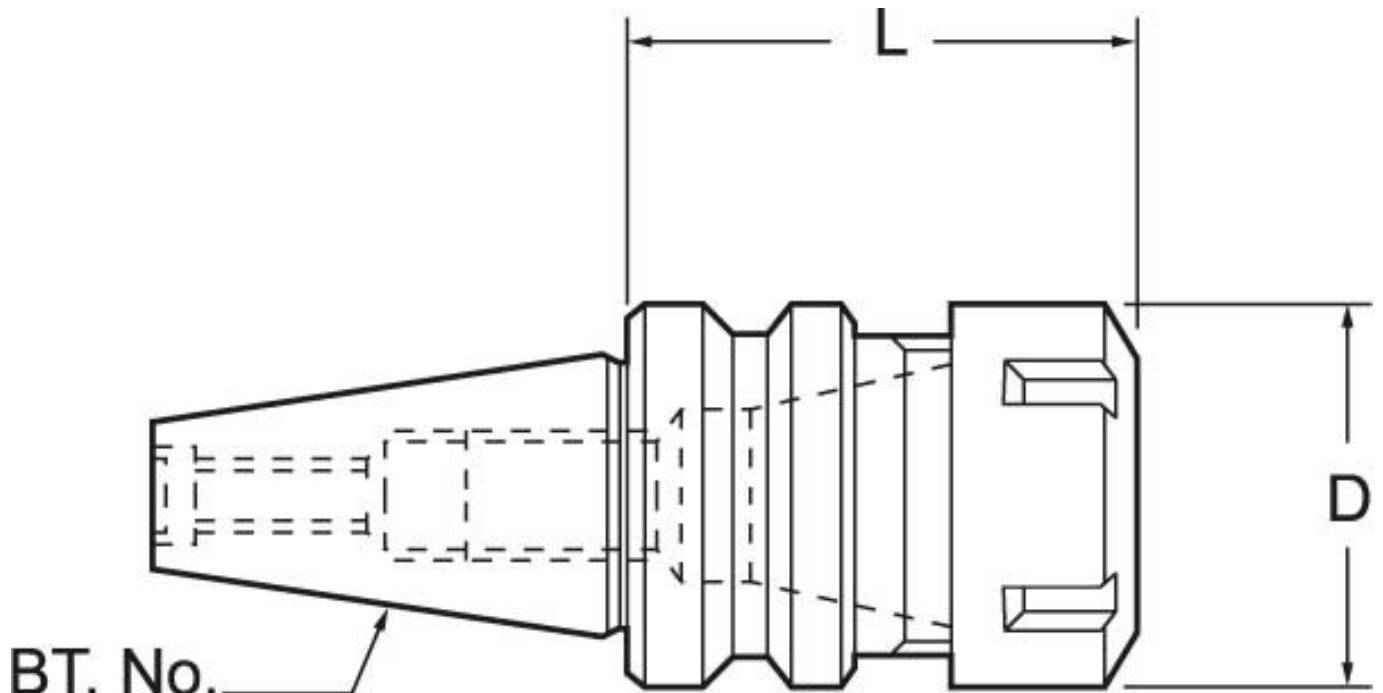
Description

All BT collet chucks meet the specifications of machine tool builders (DIN 2080 taper Shank Grade AT-3 - 85% taper contact)

Features

- Precision ground
- Manufactured to MAS403BT40 standard
- M16 Pull Stud thread
- 100mm extension from the gauge line
- Locking spanner not included

Specifications



BT. No.	
ORDER CODE	T215
MODEL	BT40 x ER25-100
Speed Rating (rpm)	15,000
Taper (BT)	BT40
Capacity (mm)	2 - 16
L (mm)	100
D (mm)	42
Collet Type (ER)	ER25
Nett Weight (kg)	1.7