

**TOOLMASTER**



**BT40 x ER16-70 Collet Chuck**

**Ø0.5-Ø10mm Range**



## TOOLMASTER BT40 x ER16-70 Collet Chuck

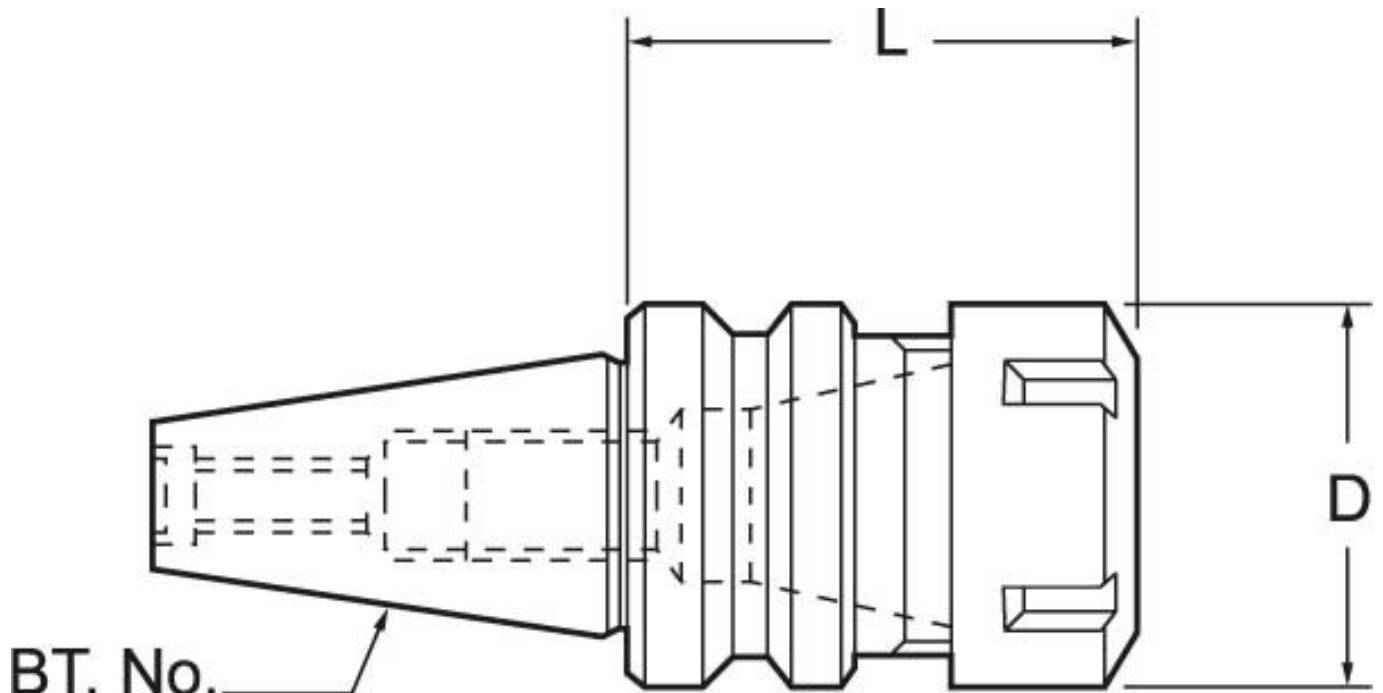
### Description

All BT collet chucks meet the specifications of machine tool builders (DIN 2080 taper Shank Grade AT-3 - 85% taper contact)

### Features

- Precision ground
- Manufactured to MAS403BT40 standard
- M16 Pull Stud thread
- 70mm extension from the gauge line
- Locking spanner not included

### Specifications



<b>BT. No.</b>	
<b>ORDER CODE</b>	T203
<b>MODEL</b>	BT40 x ER16-70
<b>Speed Rating (rpm)</b>	15,000
<b>Taper (BT)</b>	BT40
<b>Capacity (mm)</b>	0.5 - 10
<b>L (mm)</b>	70
<b>D (mm)</b>	28
<b>Collet Type (ER)</b>	ER16
<b>Nett Weight (kg)</b>	1.3