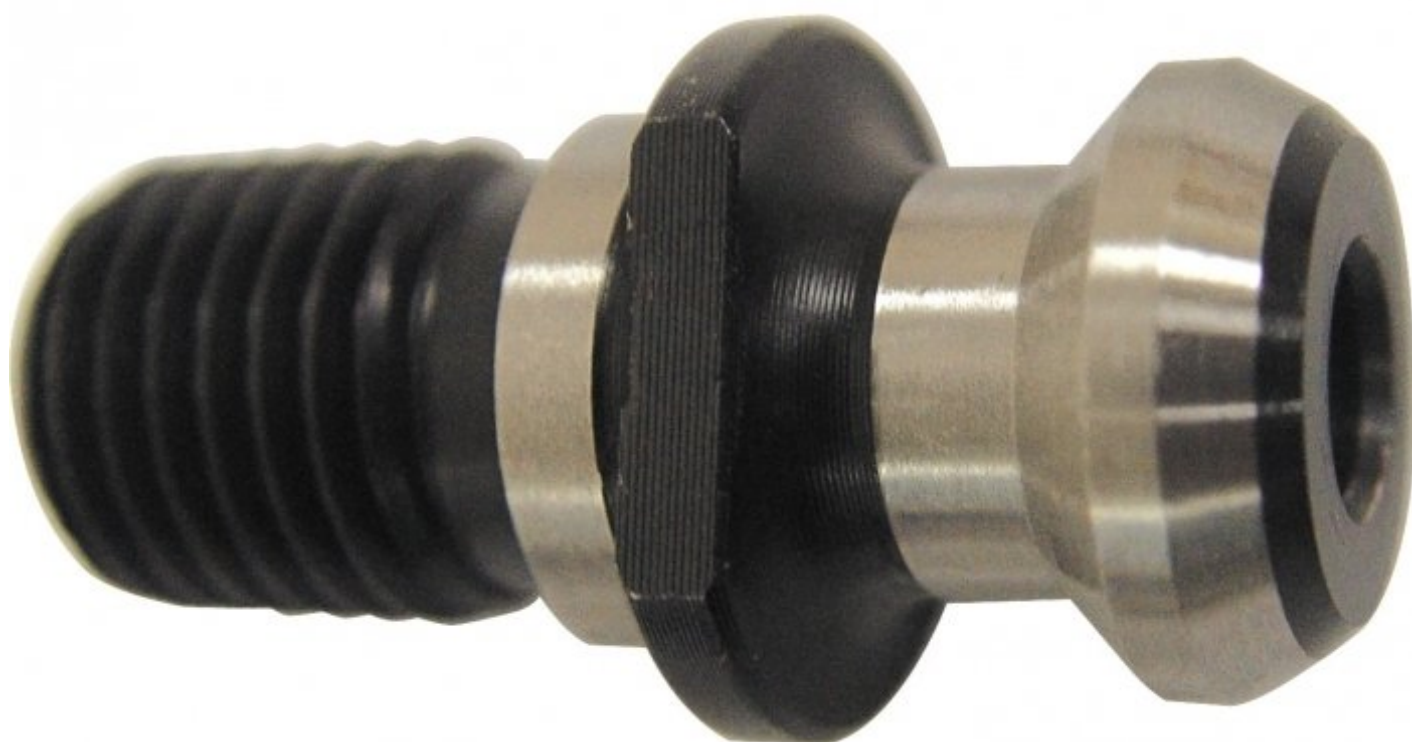


TOOLMASTER MAZAK



Pull Stud

BT-40



TOOLMASTER Pull Stud MAZAK

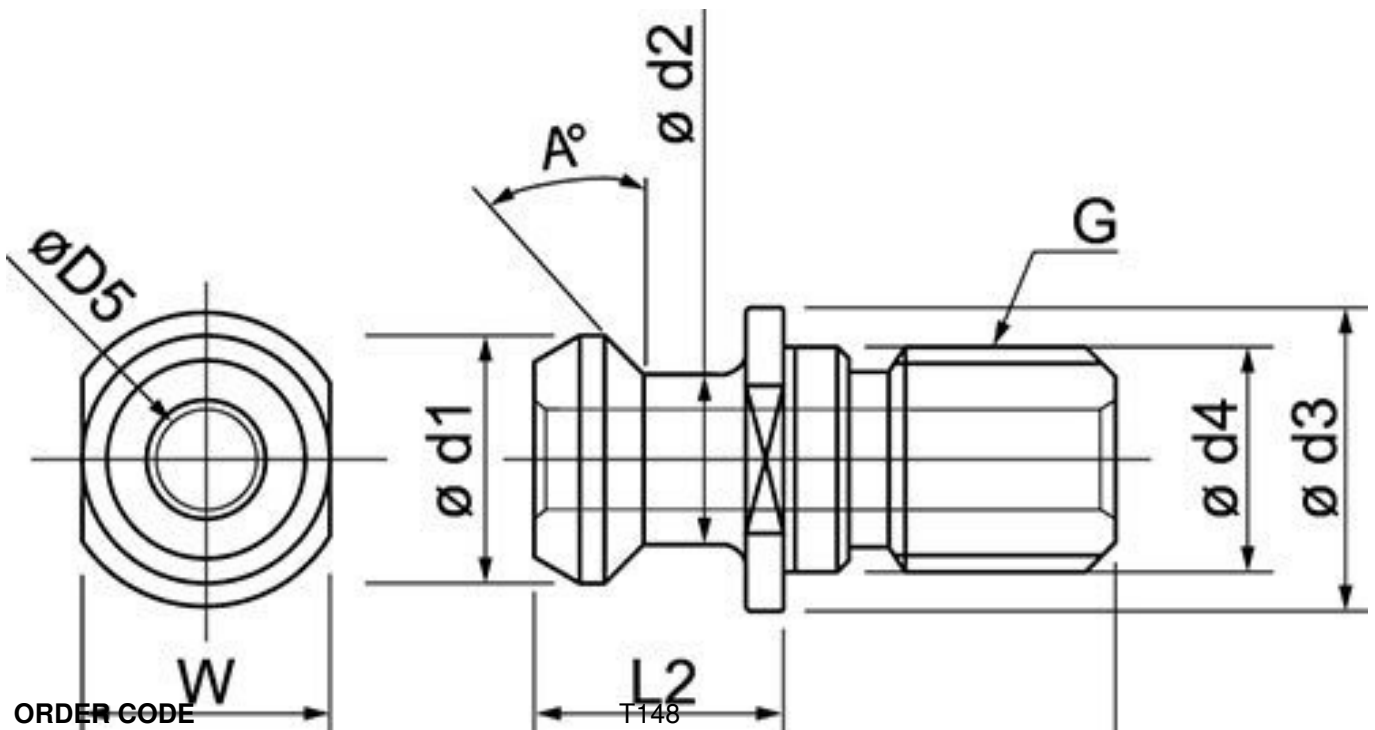
Description

Pull stud for use with MAZAK machines

Features

- Precision ground through coolant
- M16 Pull stud thread
- Through Coolant

Specifications



ORDER CODE	T148
Type	BT40
A (deg)	45°
G (mm)	M16
d1 (mm)	19.0
d2 (mm)	13.0
d3 (mm)	22.5
d4 (mm)	17.0
D5 (mm)	7.3
L1 (mm)	44.00
L2 (mm)	19.50
W (mm)	18.0