

TOOLMASTER

Pull Stud

BT-40



TOOLMASTER Pull Stud

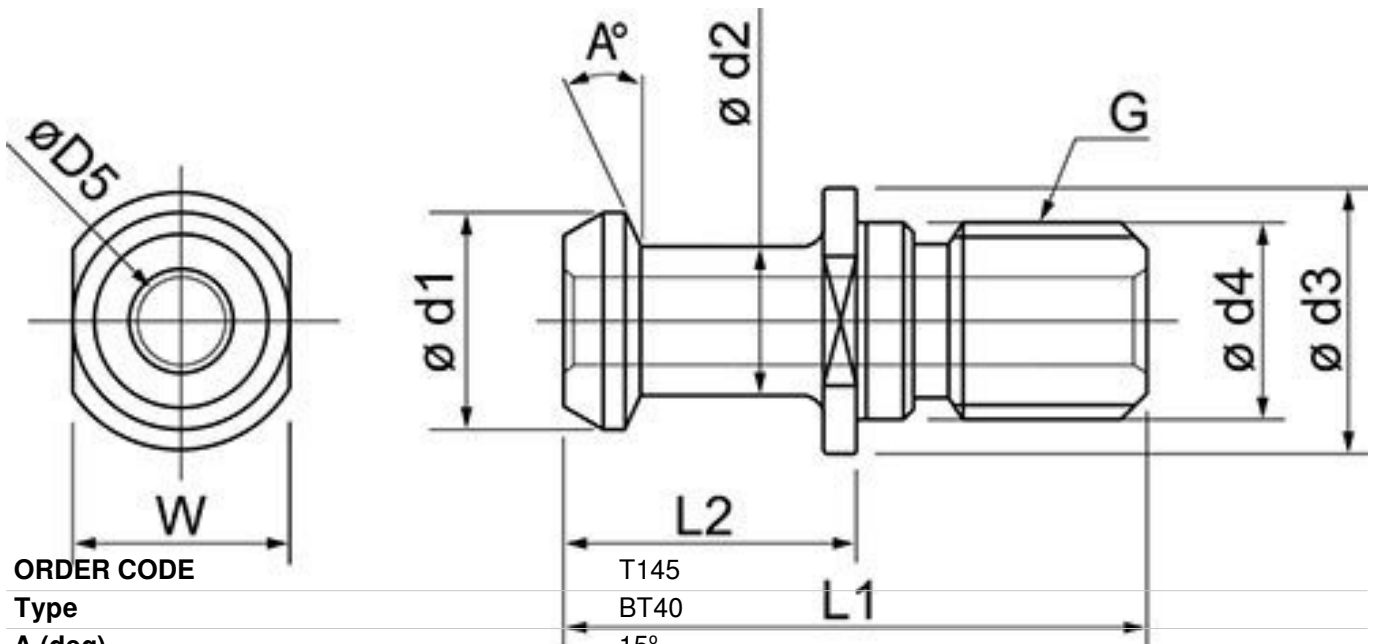
Description

Suits Doosan BT-40 Machines
Through Coolant

Features

- Precision ground through coolant
- NIKKEN-806-1 Specification
- M16 Pull Stud thread

Specifications



ORDER CODE

| | |
|---------|-------|
| Type | T145 |
| A (deg) | BT40 |
| G (mm) | 15° |
| d1 (mm) | M16 |
| d2 (mm) | 19.0 |
| d3 (mm) | 14.0 |
| d4 (mm) | 23.0 |
| D5 (mm) | 17.0 |
| L1 (mm) | 6.5 |
| L2 (mm) | 54.00 |
| W (mm) | 29.00 |
| | 19.0 |