

TOOLMASTER MAS P40T 45°

Pull Stud

BT-40



TOOLMASTER Pull Stud MAS P40T 45°

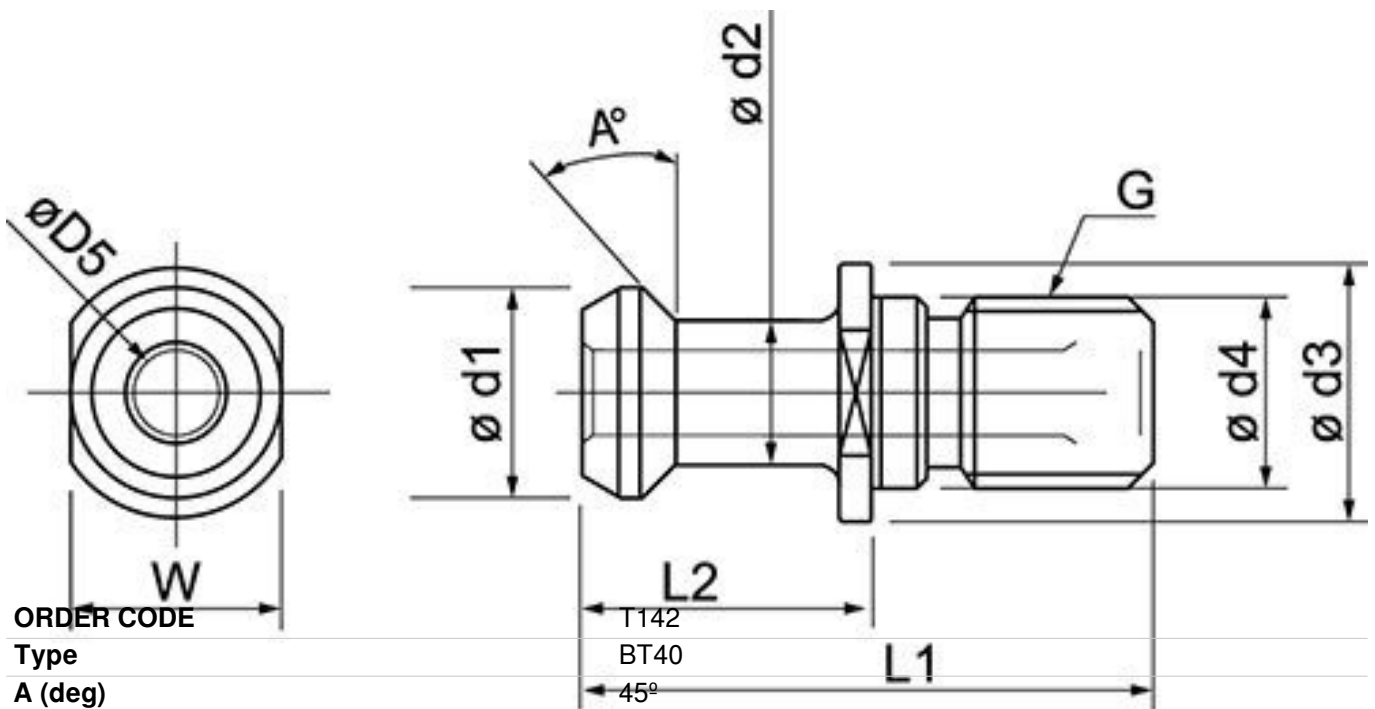
Description

Description: Precision ground through coolant

Features

- Through Coolant with M16 thread
- MAS403BT40 standard

Specifications



| | |
|------------|-------|
| ORDER CODE | T142 |
| Type | BT40 |
| A (deg) | 45° |
| G (mm) | M16 |
| d1 (mm) | 15.0 |
| d2 (mm) | 10.0 |
| d3 (mm) | 23.0 |
| d4 (mm) | 17.0 |
| D5 (mm) | 4.0 |
| L1 (mm) | 60.00 |
| L2 (mm) | 35.00 |
| W (mm) | 19.0 |