

TOOLMASTER RTK-6



Rotary Table, Dividing Plates & 3 Jaw Chuck Kit

Ø152mm



TOOLMASTER Rotary Table, Dividing Plates & 3 Jaw Chuck Kit RTK-6



3 Jaw Chuck Fitted in Vertical Position



3 Jaw Chuck Fitted in Horizontal Position



Dial Graduations



Side View

Description

The Toolmaster Rotary Table is supplied with a 125mm 3 jaw chuck, backing plate & a set of dividing plates. Designed to be used where a precision work positioning device is required. It allows the operator to mill or drill components at exact intervals around a fixed axis.

This Toolmaster Rotary Table can be used in both the horizontal or vertical plane.

Features

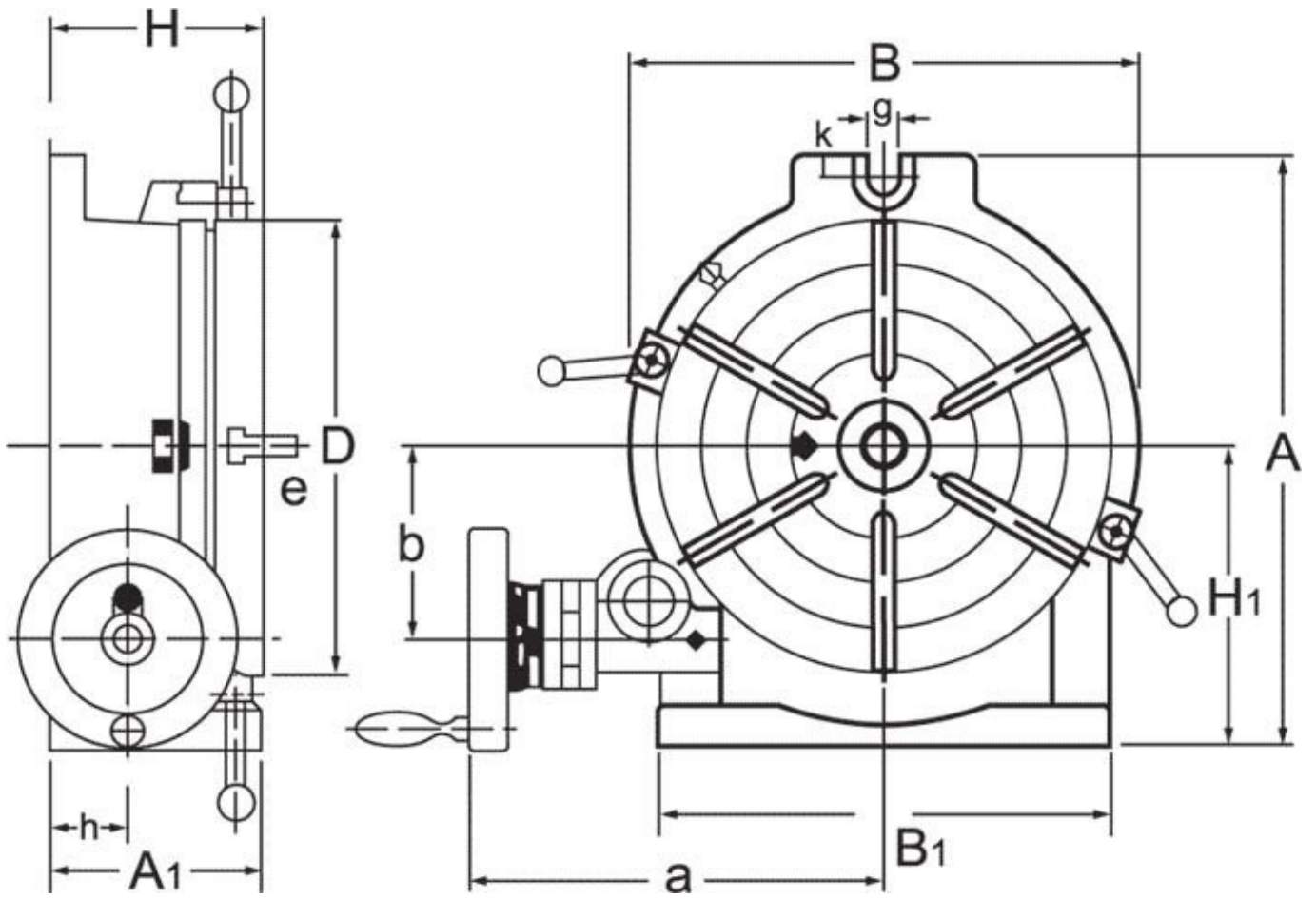
- The Toolmaster Rotary Table is manufactured from high-density Meehanite cast iron with ground surface areas on the table and body to ensure smooth rotation
- Critical wear parts are hand finished for ultra precision
- All tables are tested for accuracy using 'Heidenhain' electronic equipment to ensure continuing quality
- Worm is hardened and precision ground, with a ratio of 90:1
- Table is graduated to a full 360° so one turn of the handle moves the table 4°
- The collar on the handle is graduated with a vernier scale, readings down to 10 seconds are possible

Includes

- 152mm rotary table
- 127mm 3 jaw chuck with reverse jaws
- Adaptor plate to suit chuck
- Dividing plate set
- Chuck key

Specifications

TOOLMASTER Rotary Table, Dividing Plates & 3 Jaw Chuck Kit RTK-6



TOOLMASTER Rotary Table, Dividing Plates & 3 Jaw Chuck Kit RTK-6

ORDER CODE

TOOLMASTER Rotary Table, Dividing Plates & 3 Jaw Chuck Kit RTK-6

R0065

MODEL	RTK-6
Size (mm)	152
A1 (mm)	78
D (mm)	150
H (mm)	83
H1 (mm)	100
A (mm)	200
B (mm)	160
e (mm)	14
g (mm)	16
Number of T-Slots (No.)	4
T-Slot Size (mm)	12
Taper In Centre (MT)	2MT
Nett Weight (kg)	24