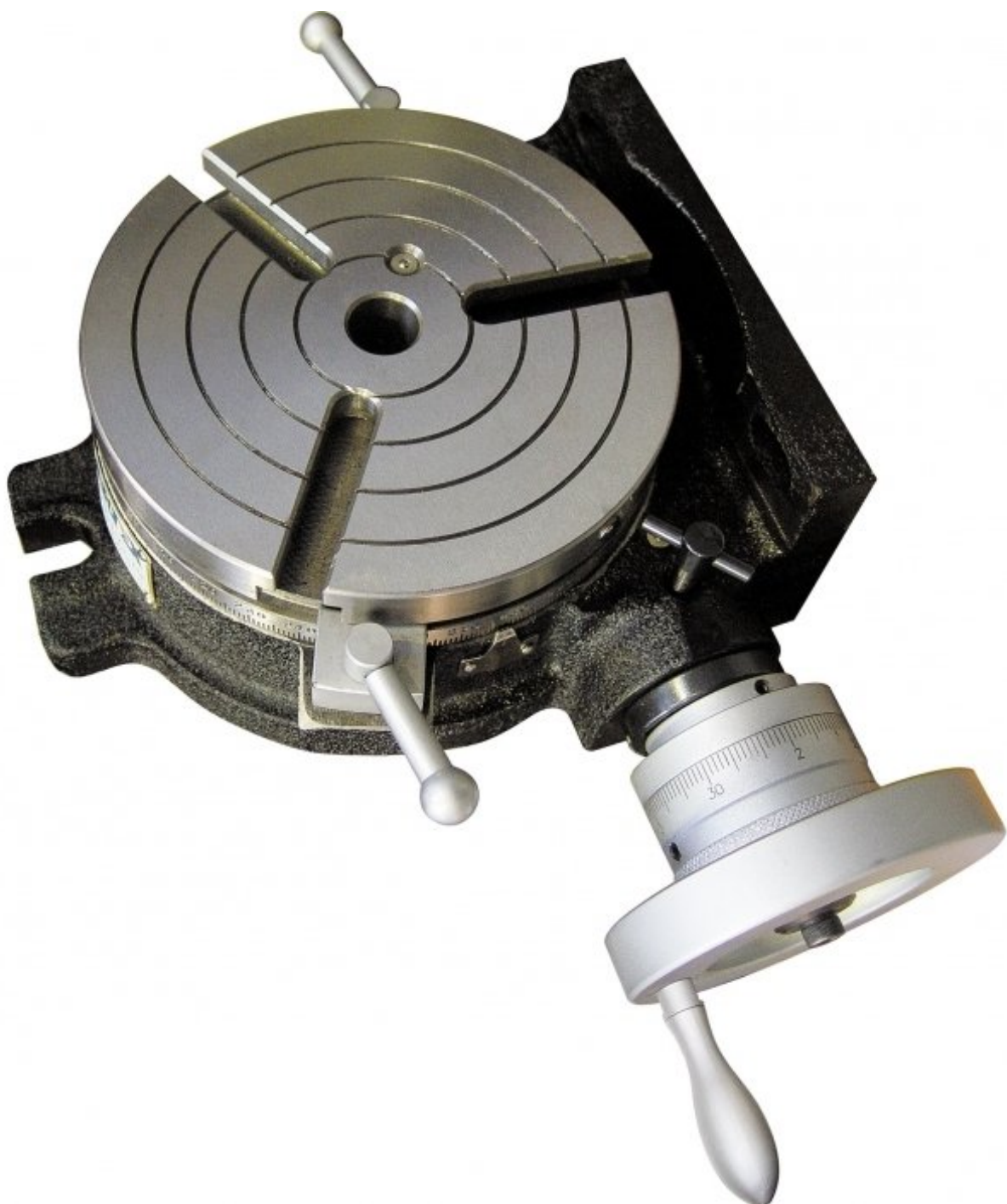


VERTEX HV-6



Vertex Rotary Table

Ø152mm



VERTEX Vertex Rotary Table HV-6



Vertical View

Description

Manufactured in Taiwan

The Vertex Rotary Table has been designed to be used where a precision work positioning device is required. It allows the operator to mill or drill components at exact intervals around a fixed axis.

Additional indexing plates can be fitted to allow the Vertex Rotary Table to be used as a Dividing Head.

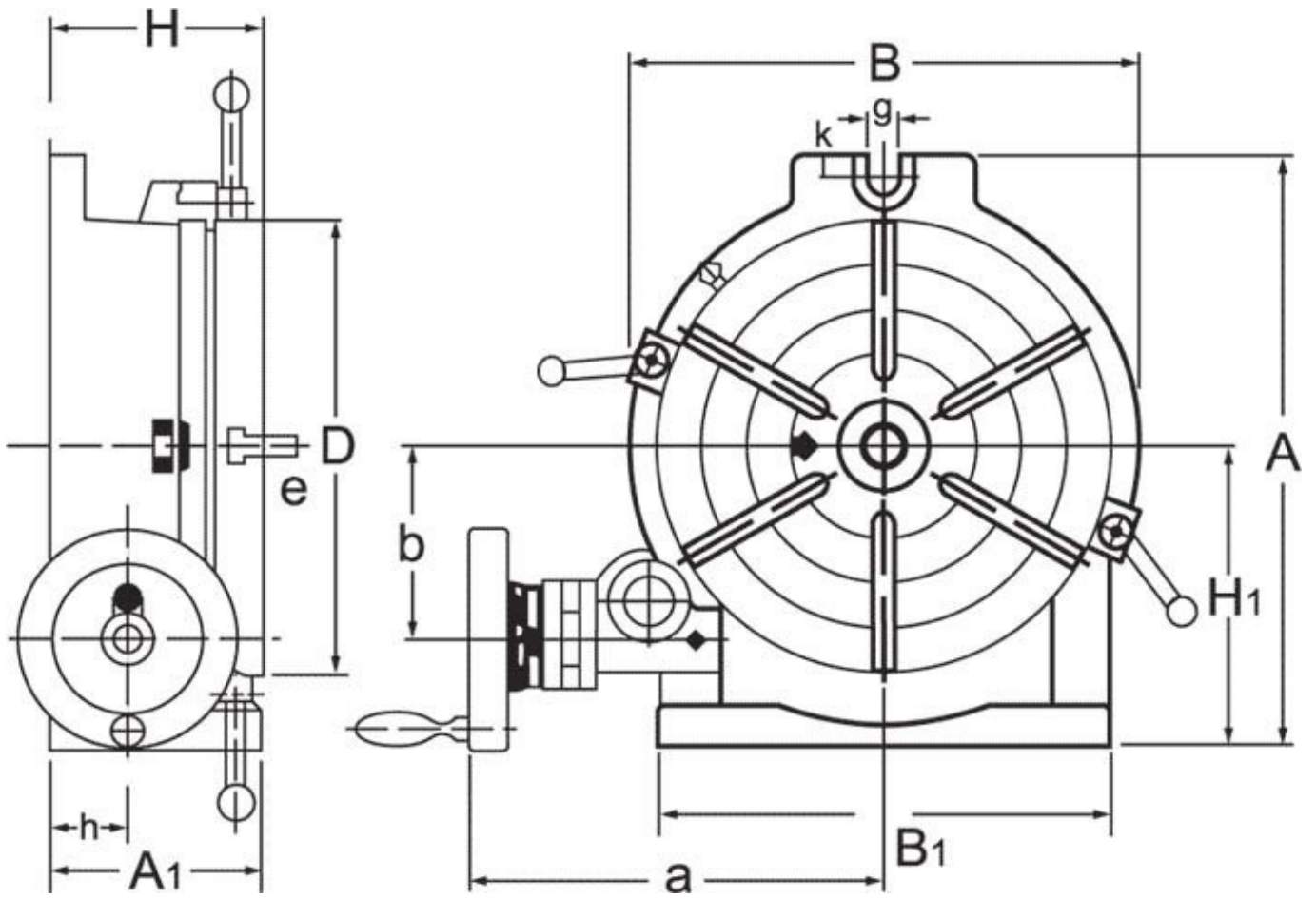
The Vertex Rotary Table can be used in both the horizontal or vertical plane.

Features

- The Vertex Rotary Table is manufactured from high-density Meehanite cast iron with ground surface areas on the table and body to ensure smooth rotation
- Critical wear parts are hand finished for ultra precision
- All tables are tested for accuracy using 'Heidenhain' electronic equipment to ensure continuing quality
- Worm is hardened and precision ground, with a ratio of 90:1
- Table is graduated to a full 360° so one turn of the handle moves the table 4°
- The collar on the handle is graduated with a vernier scale, readings down to 10 seconds are possible

Specifications

VERTEX Vertex Rotary Table HV-6



VERTEX Vertex Rotary Table HV-6

ORDER CODE

VERTEX Vertex Rotary Table HV-6

R006

MODEL	HV-6
Size (mm)	152
A1 (mm)	78
D (mm)	150
H (mm)	80
H1 (mm)	100
A (mm)	200
B (mm)	160
e (mm)	11
g (mm)	15
Number of T-Slots (No.)	3
T-Slot Size (mm)	11
Taper In Centre (MT)	2MT
Nett Weight (kg)	14