

HAFCO TRT-4C



Tilting Rotary Table Chuck

Ø110mm Chuck



HAFCO Tilting Rotary Table Chuck TRT-4C

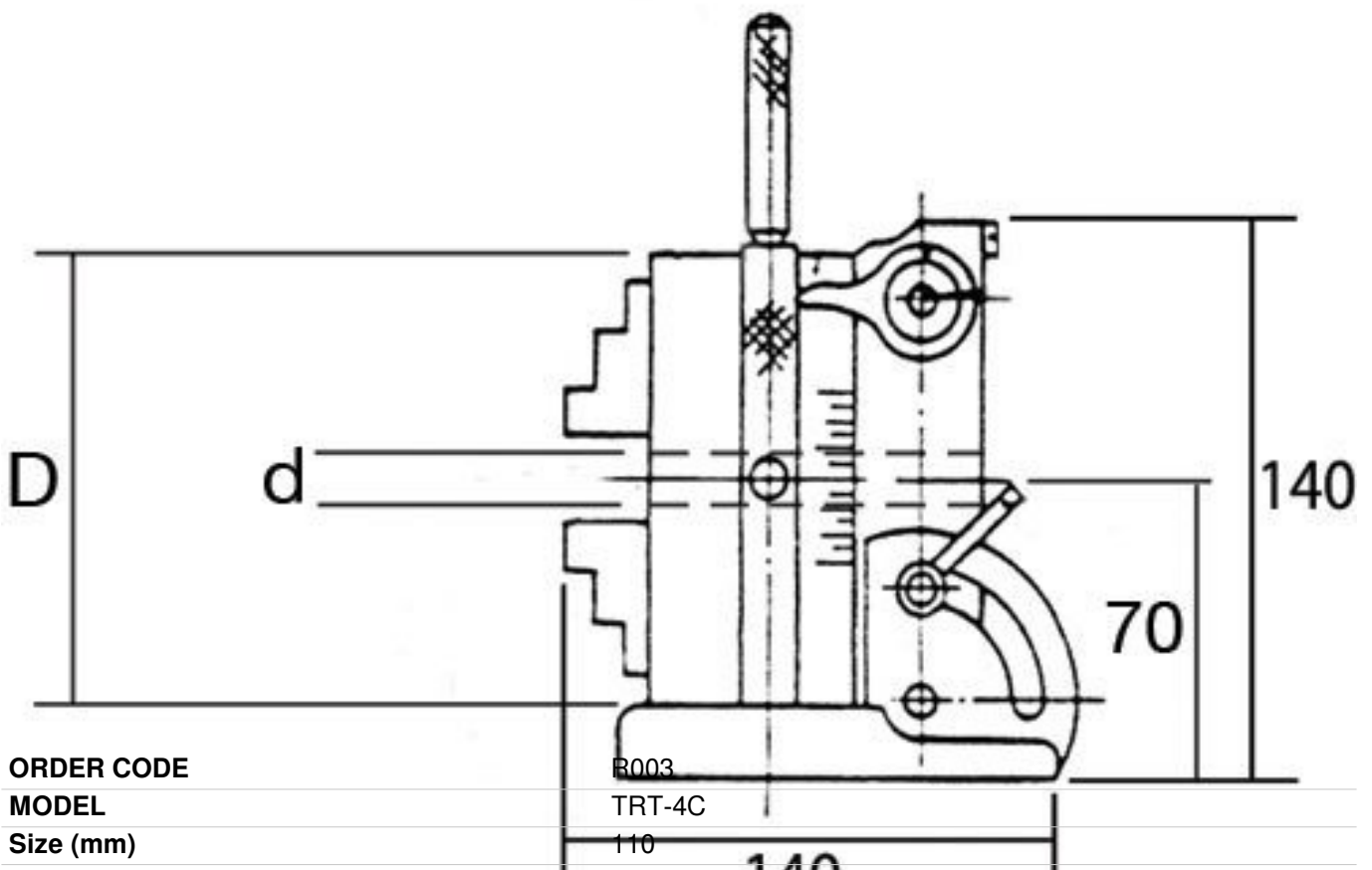
Description

This small Tilting Rotary Table is manufactured from close grain cast iron and is suitable for small hobby mills

Features

- 110mm diameter 3-jaw self-centring chuck with 25mm bore
- One set of Jaws supplied with chuck, which are reversible
- Tilts from 0° horizontal to 90° vertical and is graduated in 1° increments
- Chuck rotation is graduated 360° in 1° increments
- 94-1 gear ratio which can be disengaged for quick indexing work
- Weigh's 9kg

Specifications



ORDER CODE	R003
MODEL	TRT-4C
Size (mm)	110
A (mm)	~
B (mm)	~
C (mm)	~
D (mm)	Ø110
E (mm)	~
F (mm)	~
H (mm)	~
L (mm)	~
M (MT)	~
P (mm)	~

HAFCO Tilting Rotary Table Chuck TRT-4C

d (lowercase) (mm)	Ø25
h (lowercase) (mm)	~
T-Slot Size (mm)	~
Worm Ratio	94:1