

MEASUMAX 34-507

Pocket Dial Thickness Gauge

0-10mm



MeasumaX

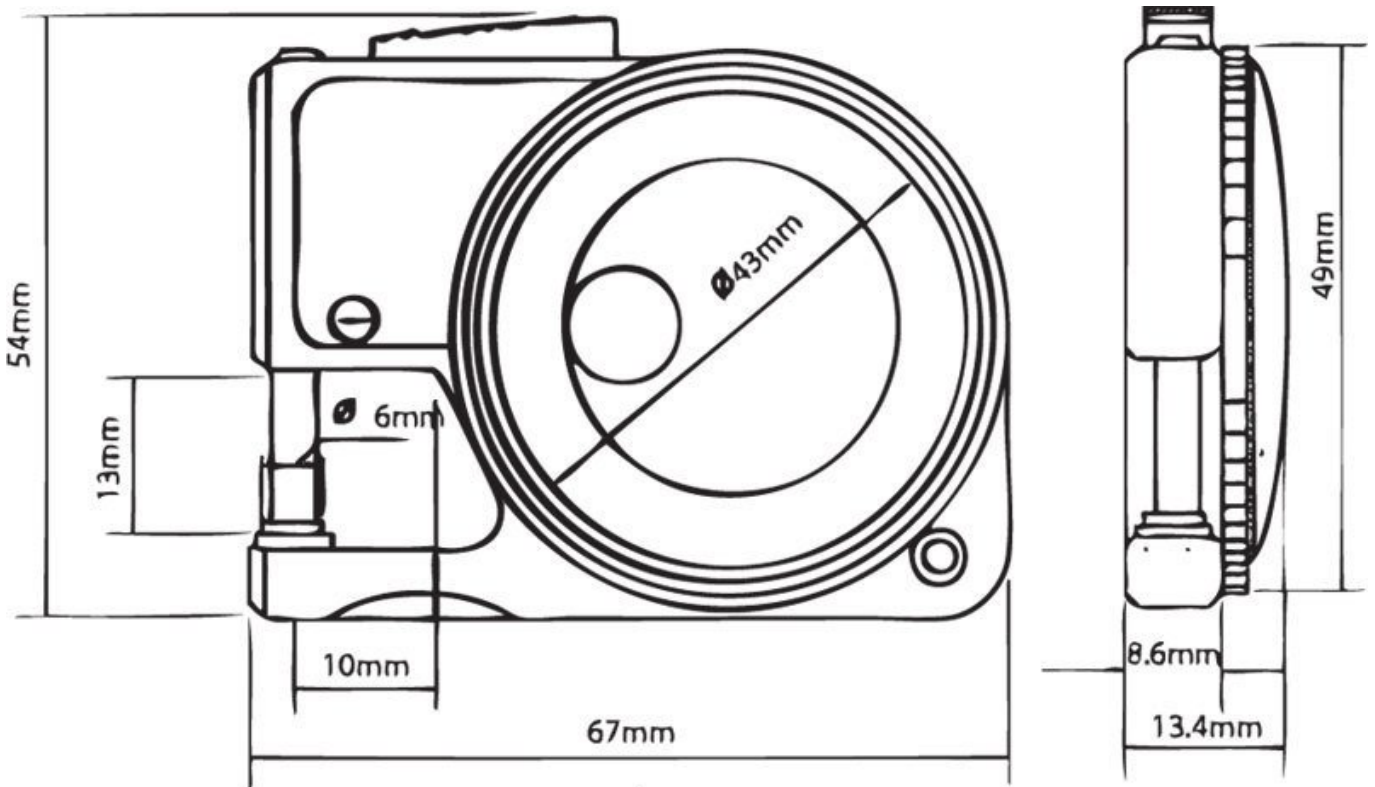


MEASUMAX Pocket Dial Thickness Gauge 34-507

Features

- The dial thickness gauges are used to measure the thickness of paper, leather, rubber, fabric, metal plate, glass and plastic plate etc
- Standard steel contact point and anvil Ø10mm Diameter
- Compact design
- Ideally suited for quick inspection

Specifications



ORDER CODE	Q507
Range (mm)	0 - 10
Graduation (mm)	0.01