

**MEASUMAX 45-503**

**Digital Disc Micrometer**

**25-50mm/1-2"**



**MeasumaX**



## MEASUMAX Digital Disc Micrometer 45-503

### Description

Designed for the measurement of gears and paper thickness. The spindle is non-rotating to eliminate torque on the work piece.

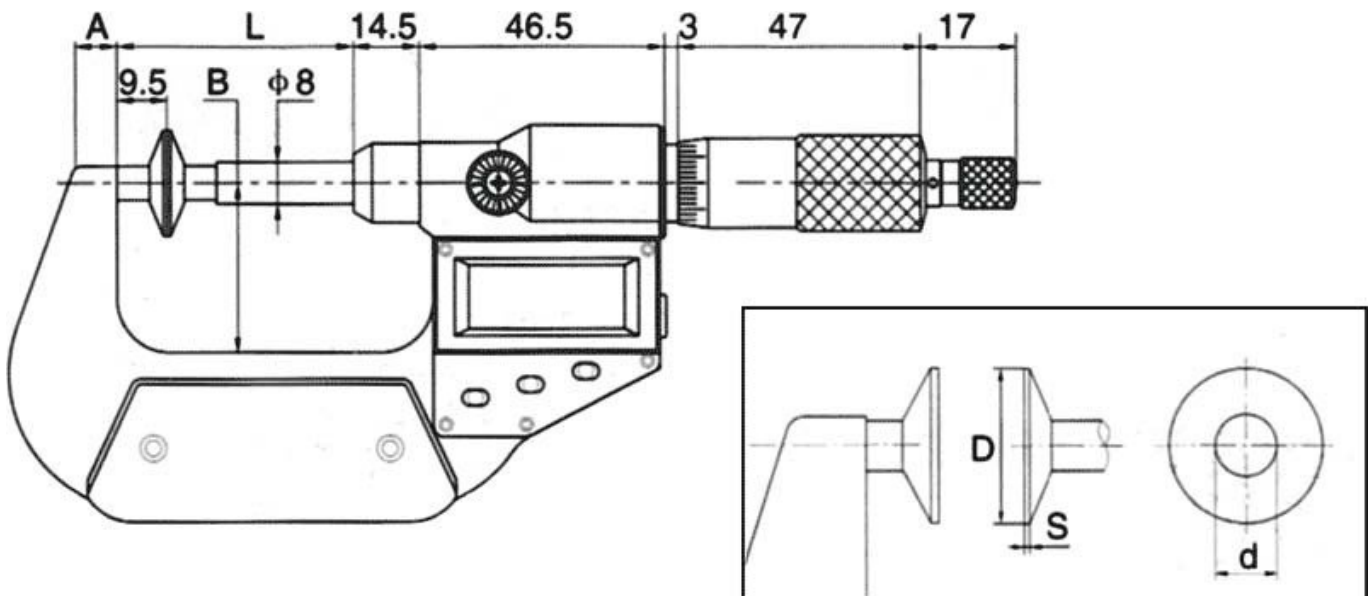
### Features

- Painted frame
- Protection level IP54
- Origin data set, Absolute and incremental readings
- Metric/Inch conversion
- RS232 data output. (Uses cable 40-400)
- Large digital display
- Metric/Imperial conversion
- Ratchet thimble
- Accuracy 0.004mm
- Resolution 0.001mm / 0.0005"

### Includes

- Includes LR44 battery

### Specifications



<b>ORDER CODE</b>	Q503
<b>Range (mm / inch)</b>	25 - 50mm / 1 - 2"
<b>Accuracy (mm)</b>	0.004
<b>A (mm)</b>	8
<b>B (mm)</b>	44.5

**MEASUMAX Digital Disc Micrometer 45-503**

<b>d (lowercase) (mm)</b>	8
<b>D (mm)</b>	20
<b>L (mm)</b>	68
<b>S (mm)</b>	0.7