

MEASUMAX 45-5014

Micrometers - Jaw Type

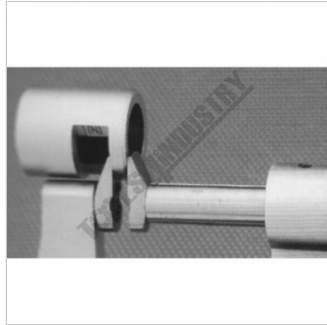
75-100mm



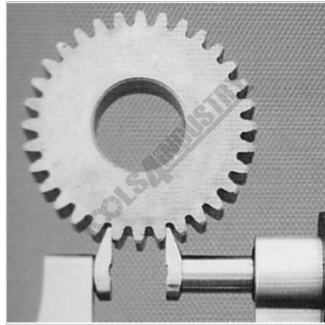
MEASUMAX Micrometers - Jaw Type 45-5014



Anvils



Shown Measuring



Shown Measuring

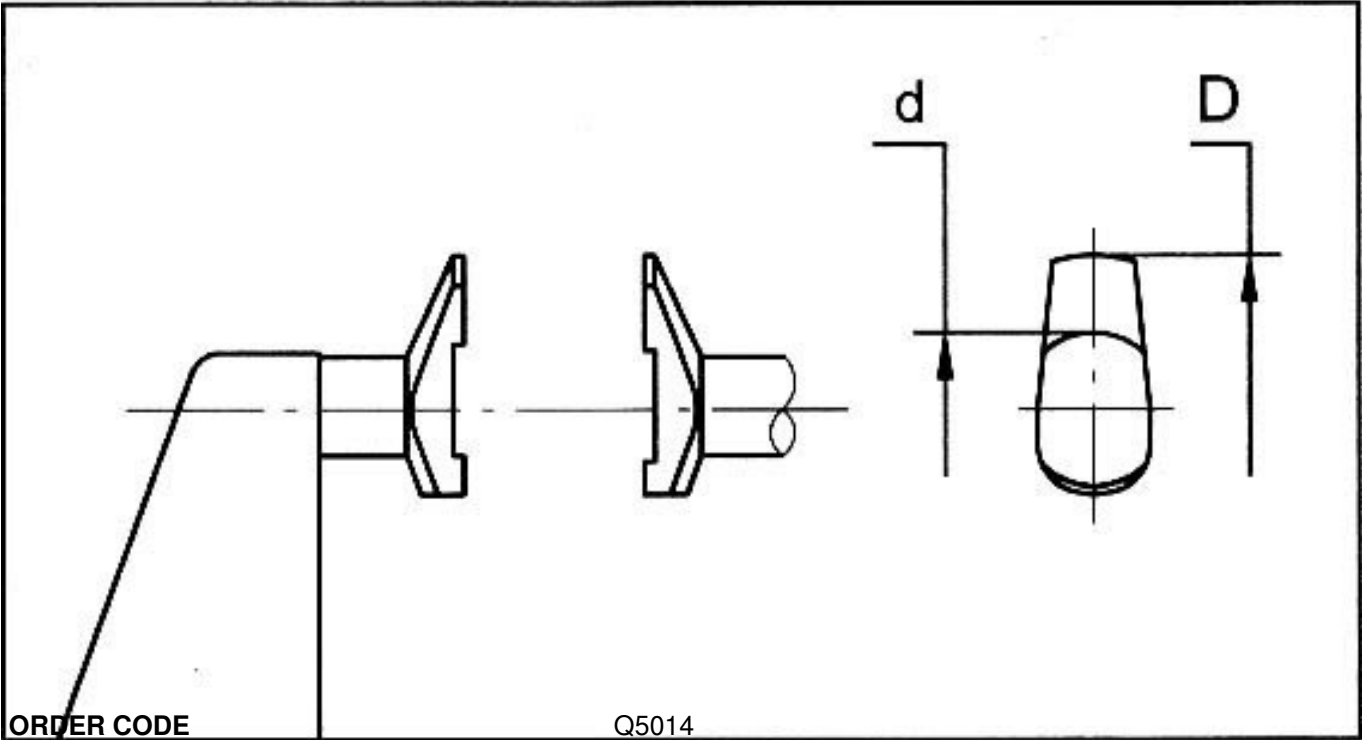
Description

The Measumax Jaw Type Micrometer is specially designed for measuring gear tooth dimensions and hard to reach recesses and grooves

Features

- Non Rotating spindle
- Ratchet thimble
- Painted frame
- Resolution 0.01 mm

Specifications



ORDER CODE	Q5014
Range (mm)	75 - 100
Accuracy (mm)	0.005
d (lowercase) (mm)	Ø8

MEASUMAX Micrometers - Jaw Type 45-5014

D (Radius) (mm)	10
------------------------	----
