

MEASUMAX 45-5012

Micrometers - Jaw Type

25-50mm



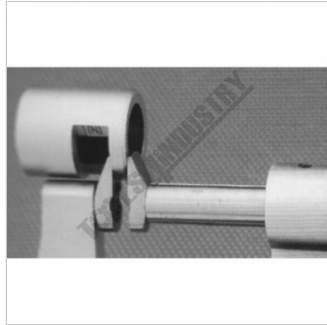
MeasumaX



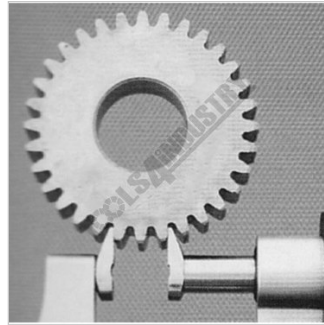
MEASUMAX Micrometers - Jaw Type 45-5012



Anvils



Shown Measuring



Shown Measuring

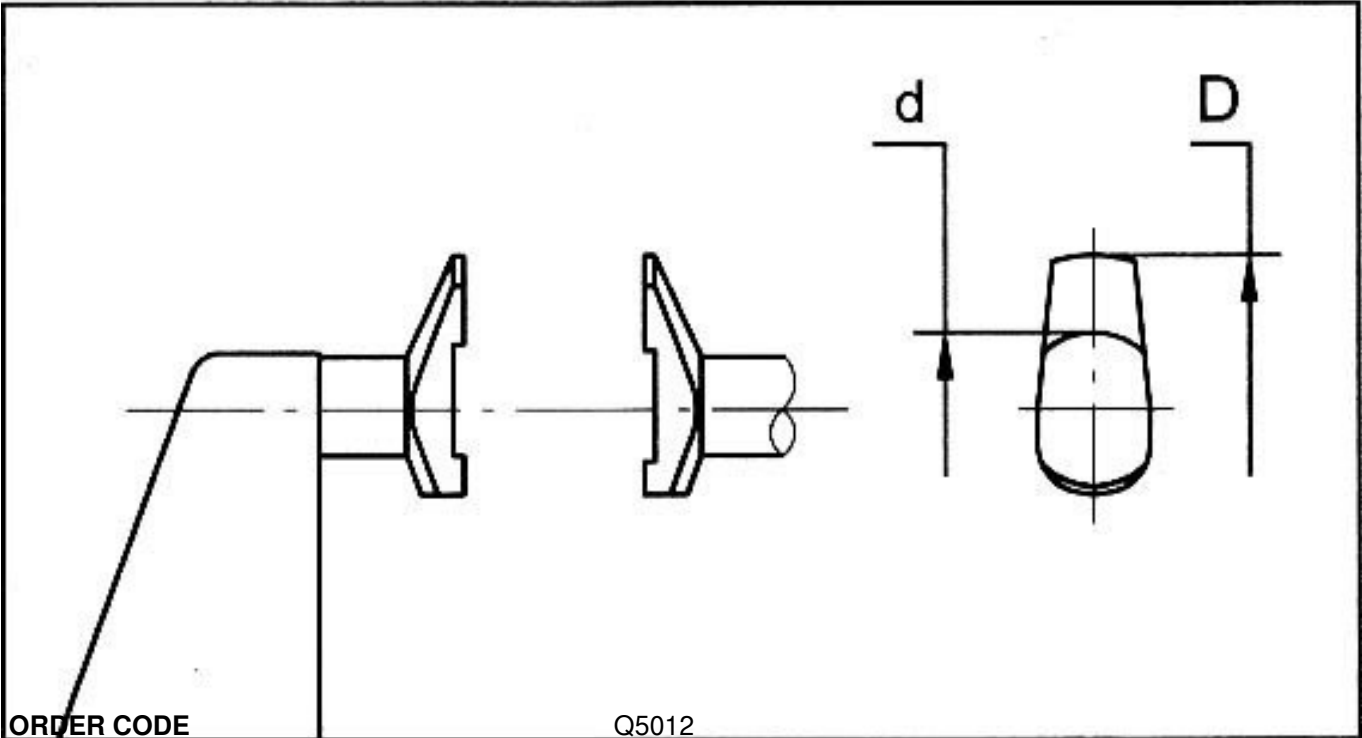
Description

The Measumax Jaw Type Micrometer is specially designed for measuring gear tooth dimensions and hard to reach recesses and grooves

Features

- Non Rotating spindle
- Ratchet thimble
- Painted frame
- Resolution 0.01 mm

Specifications



ORDER CODE	Q5012
Range (mm)	25 - 50
Accuracy (mm)	0.004
d (lowercase) (mm)	Ø8

MEASUMAX Micrometers - Jaw Type 45-5012

D (Radius) (mm)	10
------------------------	----
