

**MEASUMAX 45-501**

**Micrometers - Jaw Type**

**0-25mm**



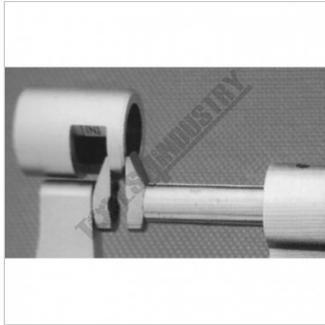
**MeasumaX**



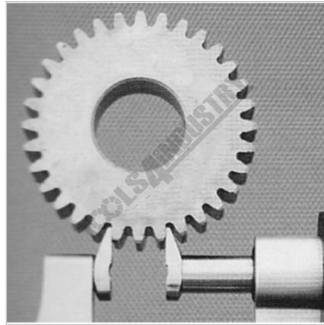
**MEASUMAX Micrometers - Jaw Type 45-501**



Anvils



Shown Measuring



Shown Measuring

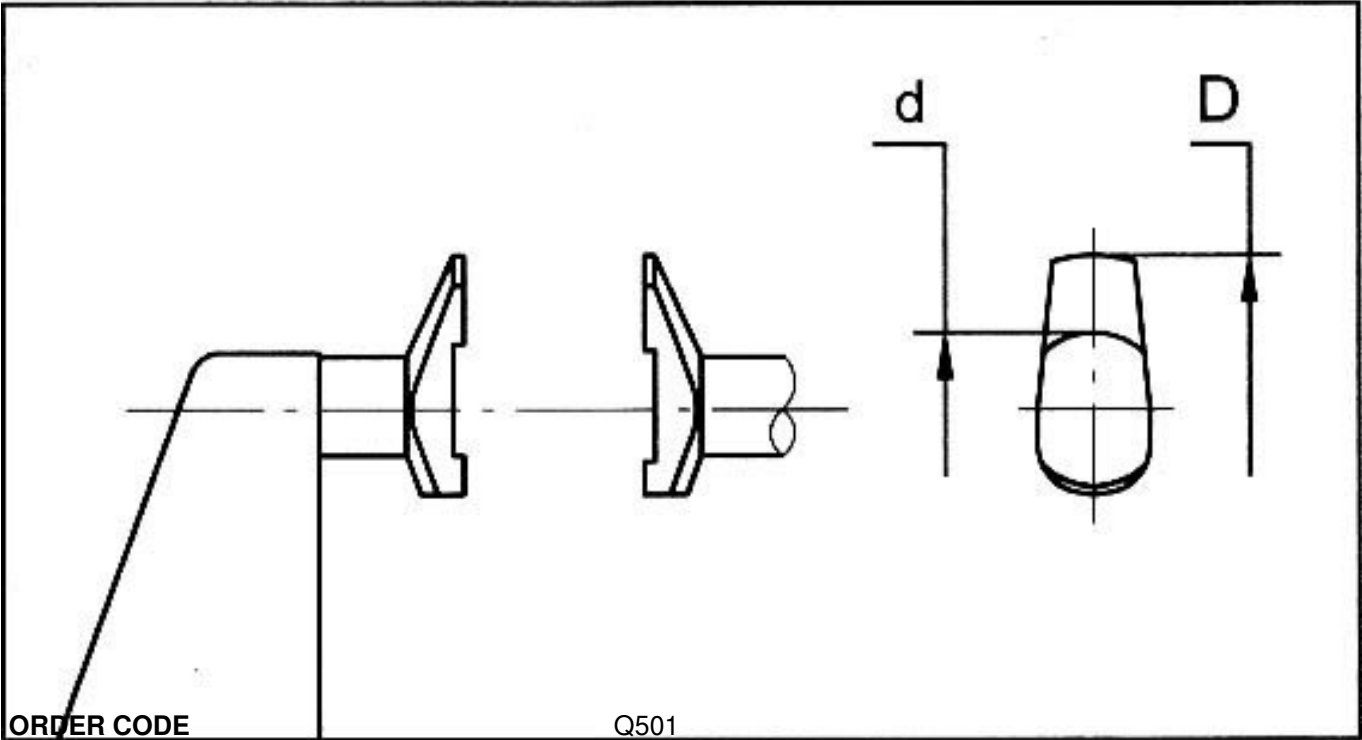
**Description**

The Measumax Jaw Type Micrometer is specially designed for measuring gear tooth dimensions and hard to reach recesses and grooves

**Features**

- Non Rotating spindle
- Ratchet thimble
- Painted frame
- Resolution 0.01 mm

**Specifications**



<b>ORDER CODE</b>	Q501
<b>Range (mm)</b>	0 - 25
<b>Accuracy (mm)</b>	0.004
<b>d (lowercase) (mm)</b>	Ø8

**MEASUMAX Micrometers - Jaw Type 45-501**

---

<b>D (Radius) (mm)</b>	10
------------------------	----

---