

**MEASUMAX 11-495**

**V-Anvil Micrometer**

**2.3-25mm**



**MeasumaX**



## MEASUMAX V-Anvil Micrometer 11-495

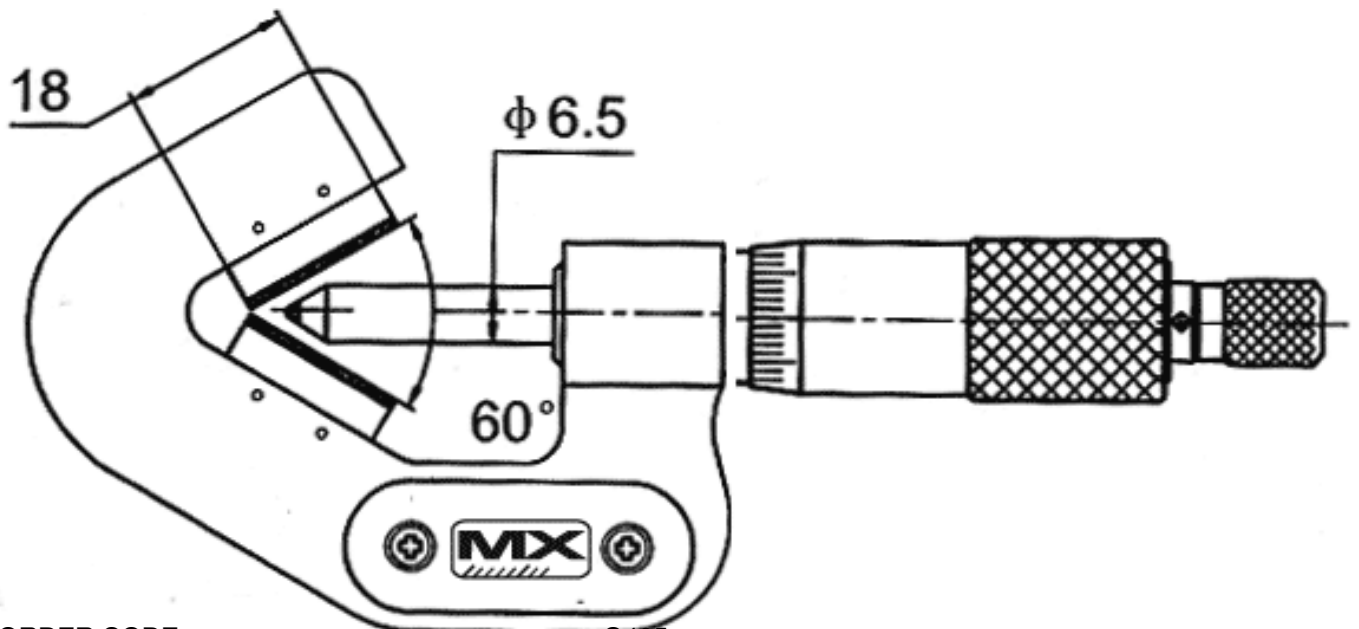
### Description

Measumax V-Anvil micrometers are suitable for measuring cylinders with odd number flutes such as taps, reamers and 3 flute end mills.

### Features

- Ratchet Thimble
- Painted frame
- Positive locking clamp
- Resolution: 0.01 mm

### Specifications



ORDER CODE	Q495
MODEL	11-495
Range (mm)	2.3 - 25
Accuracy (mm)	0.004