

MEASUMAX 11-491

Groove Micrometer

25-50mm



Measumax



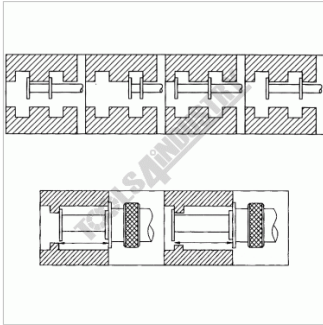
MEASUMAX Groove Micrometer 11-491

Figure 1.gif



Shown In Box

Description

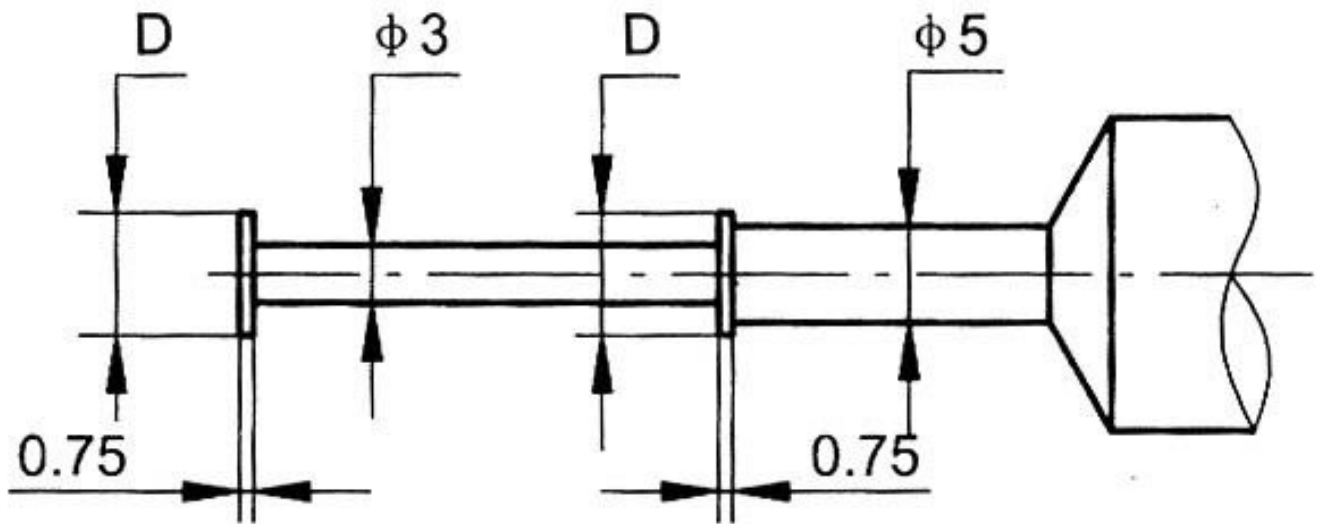
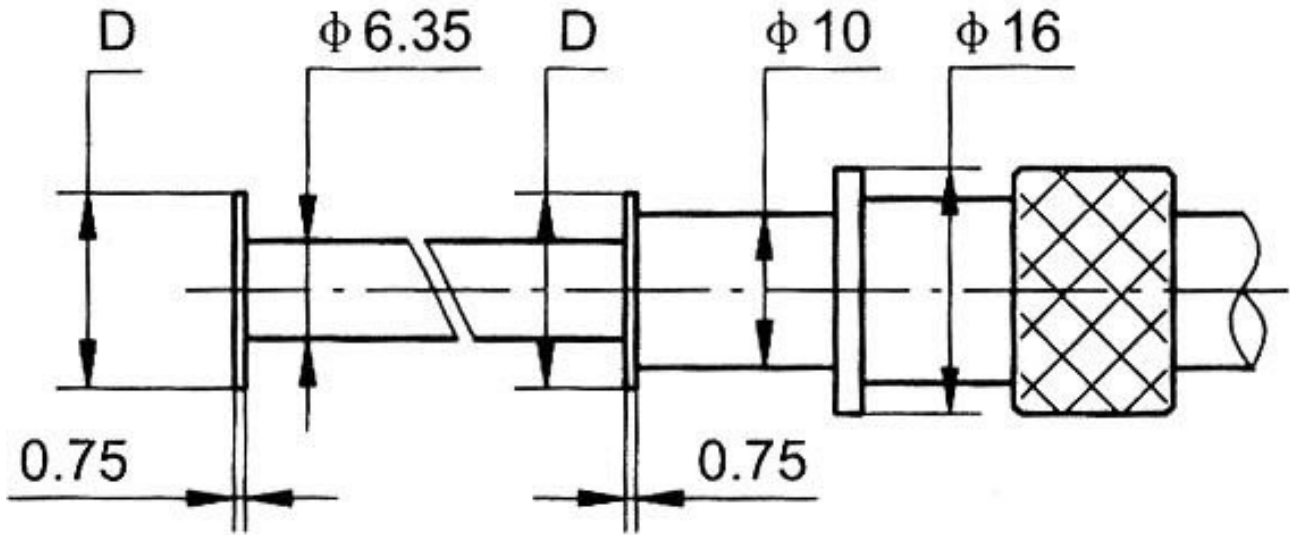
Measumax Groove Micrometers provide a easy method for measuring recesses in bores such as hydraulic seals "O" ring grooves and Circlip grooves.

Features

- Flanged measuring faces for measuring the locations of grooves inside bores
- Laser engraved graduations
- Two scales provided for inside and outside measurement
- Two-directional measuring force
- Resolution: 0.01mm

Specifications

MEASUMAX Groove Micrometer 11-491



MEASUMAX Groove Micrometer 11-491

ORDER CODE

MEASUMAX Groove Micrometer 11-491

Q491

Inside Range (mm)	26.5 - 51.5
Outside Range (mm)	25-50
Parallelism (mm)	0.01
Accuracy (mm)	0.01
D (mm)	13