

MEASUMAX 11-490

Groove Micrometer

0-25mm



Measumax



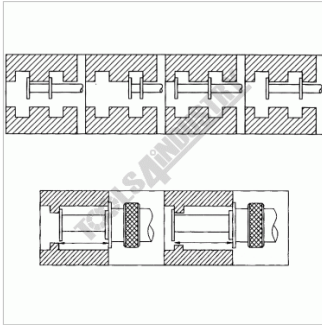
MEASUMAX Groove Micrometer 11-490

Figure 1.gif

Description

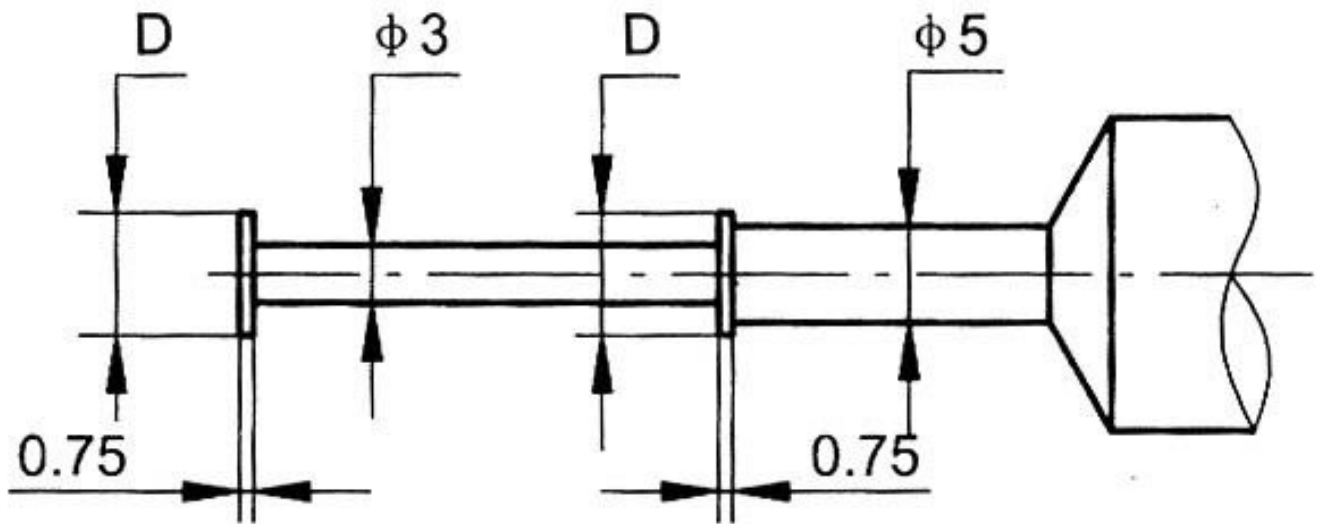
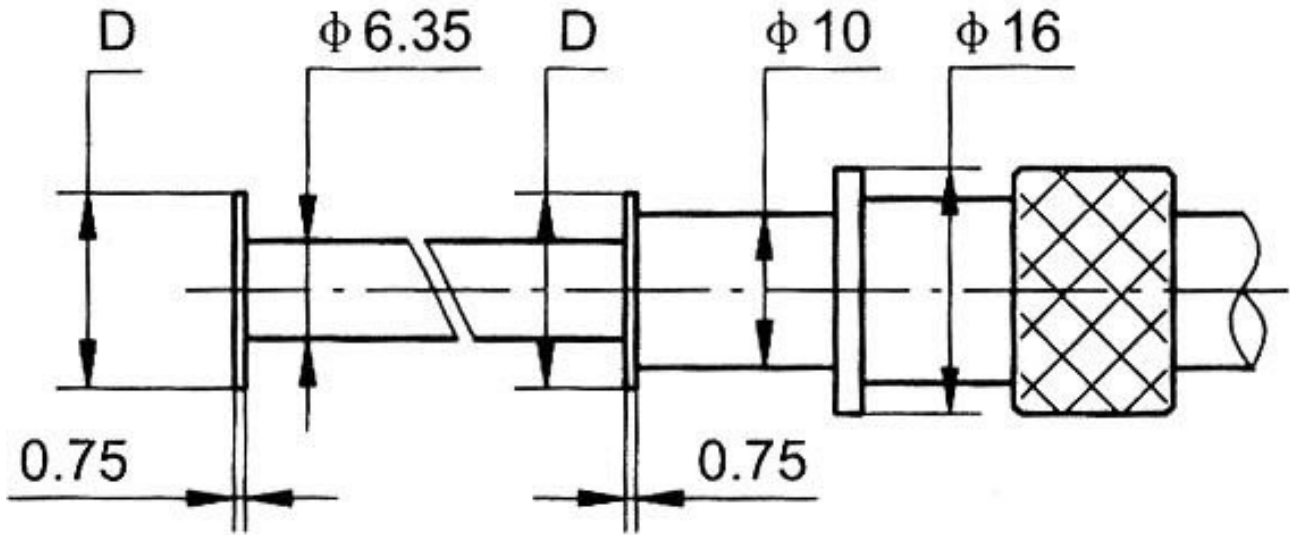
Measumax Groove Micrometers provide a easy method for measuring recesses in bores such as hydraulic seals "O" ring grooves and Circlip grooves.

Features

- Flanged measuring faces for measuring the locations of grooves inside bores
- Laser engraved graduations
- Two scales provided for inside and outside measurement
- Two-directional measuring force
- Resolution: 0.01mm

Specifications

MEASUMAX Groove Micrometer 11-490



MEASUMAX Groove Micrometer 11-490

ORDER CODE

MEASUMAX Groove Micrometer 11-490

Q490

Inside Range (mm)	1.6 - 26.5
Outside Range (mm)	0-25
Parallelism (mm)	0.01
Accuracy (mm)	0.01
D (mm)	13