

MEASUMAX 33-246

Inside Caliper Gauge

40-60mm/1.6-2.4"



Measumax



MEASUMAX Inside Caliper Gauge 33-246

Case



Shown in Case



Inside measuring

Description

Electronic inside caliper gauges are suited to measuring bores, internal grooves and other hard to reach internal dimensions

Features

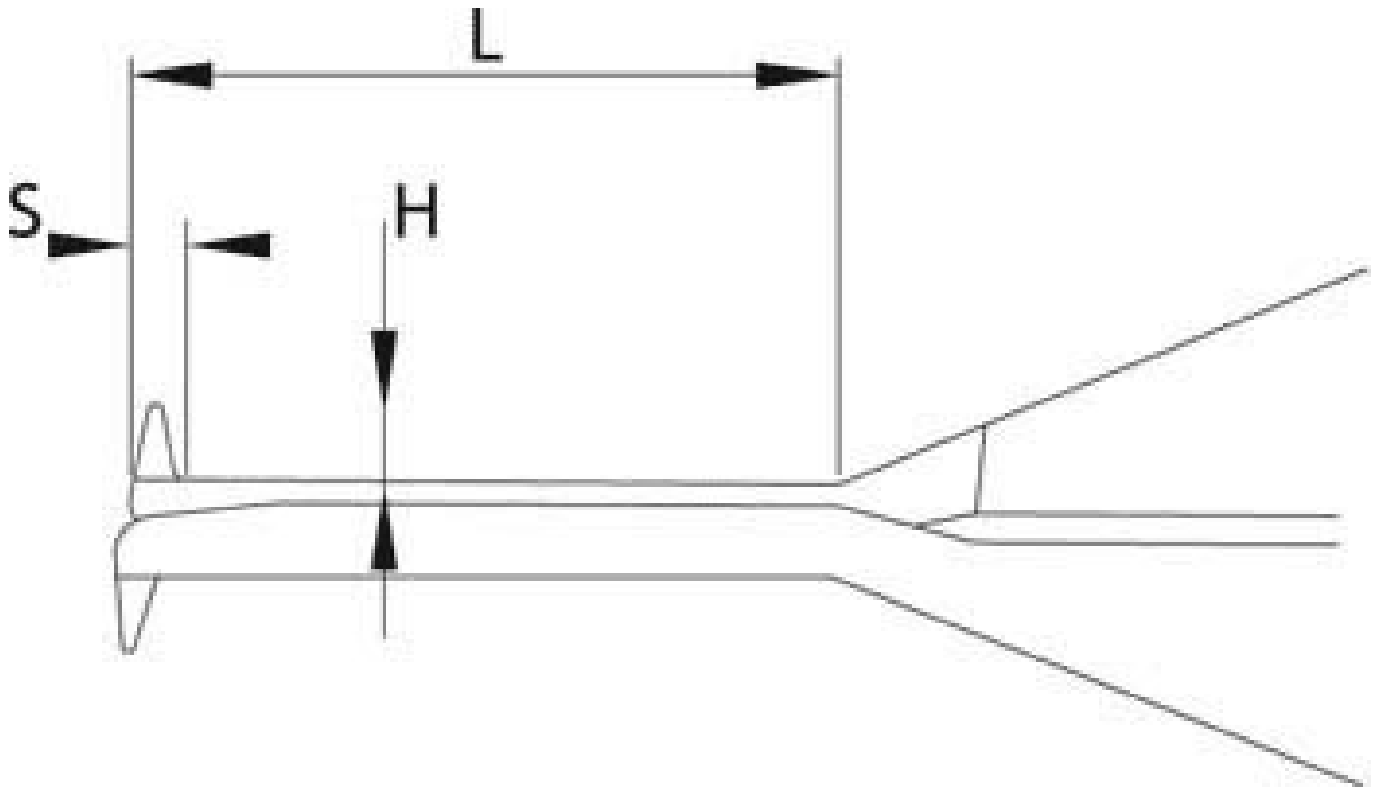
- Digital and analogue display on LCD
- Function include Power, Absolute & Incremental
- Metric/Imperial conversion
- Remembers the data of Max. and Min or hold data
- Direct RS232 Output (Uses cable 40-401)
- Uses CR2032 Battery. Auto power off
- Accuracy 0.03mm
- Tolerance set

Includes

- Includes CR2032 battery

Specifications

MEASUMAX Inside Caliper Gauge 33-246



ORDER CODE	Q246
Range	40 - 60mm / 1.6 - 2.4"
Graduations	0.01mm / 0.0005"
L (mm)	80

MEASUMAX Inside Caliper Gauge 33-246

S (mm)	3
H (mm)	8.5