

**MEASUMAX 33-244**

**Inside Caliper Gauge**

**10-30mm/0.4-1.2"**



**MeasumaX**



**MEASUMAX 33-244 Inside Caliper Gauge**

Insert

**Description**

Electronic inside caliper gauges are suited to measuring bores, internal grooves and other hard to reach internal dimensions

**Features**

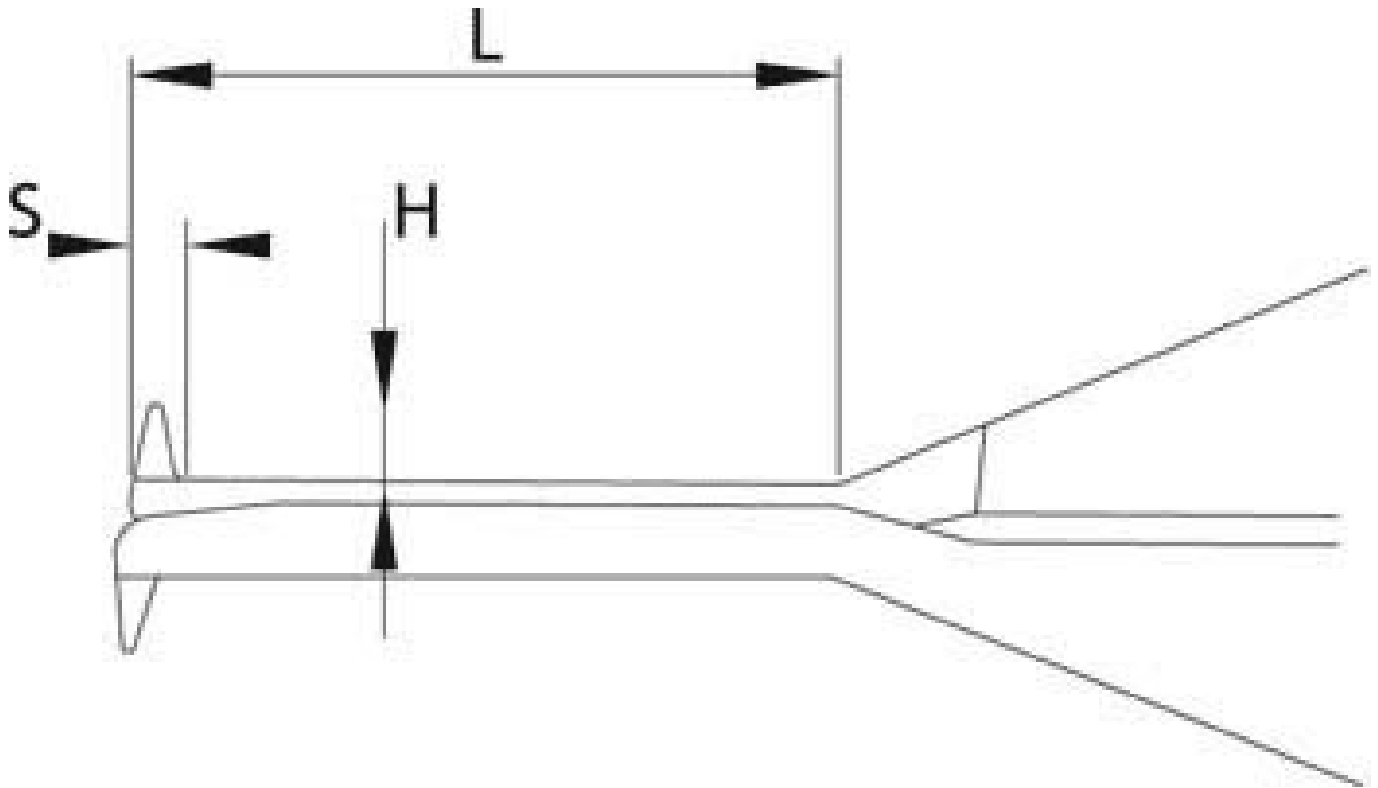
- Digital and analogue display on LCD
- Function include Power, Absolute & Incremental
- Metric/Imperial conversion
- Remembers the data of Max. and Min or hold data
- Direct RS232 Output (Uses cable 40-401)
- Auto power off
- Accuracy 0.03mm
- Tolerance set

**Includes**

- Includes CR2032 battery

**Specifications**

**MEASUMAX 33-244 Inside Caliper Gauge**



<b>ORDER CODE</b>	Q244
<b>Range</b>	10 - 30mm / 0.4 - 1.2"
<b>Graduations</b>	0.01mm / 0.0005"
<b>L (mm)</b>	55

**MEASUMAX 33-244 Inside Caliper Gauge**

<b>S (mm)</b>	2
<b>H (mm)</b>	3.5