

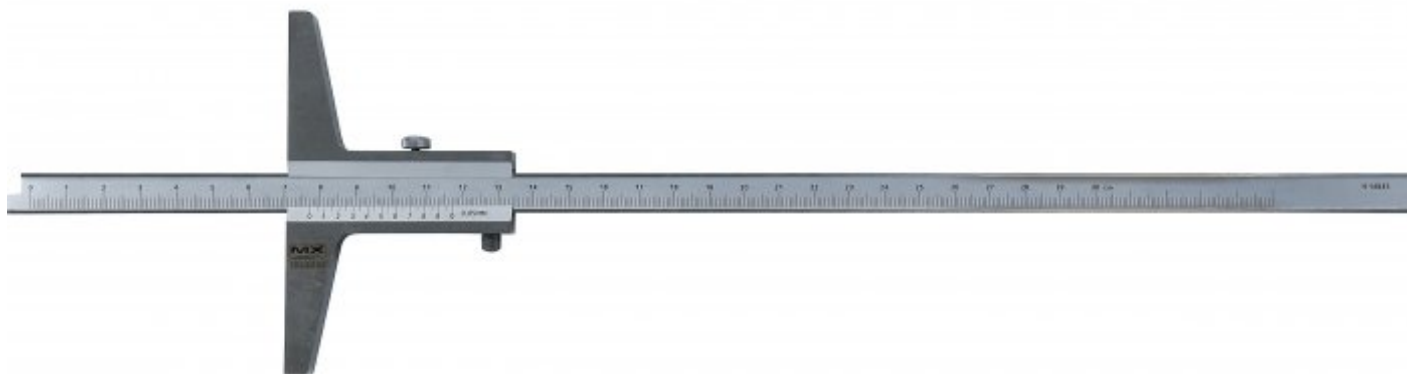
MEASUMAX 33-2365

Vernier Depth Gauge

300mm



MeasumaX



MEASUMAX Vernier Depth Gauge 33-2365



Head

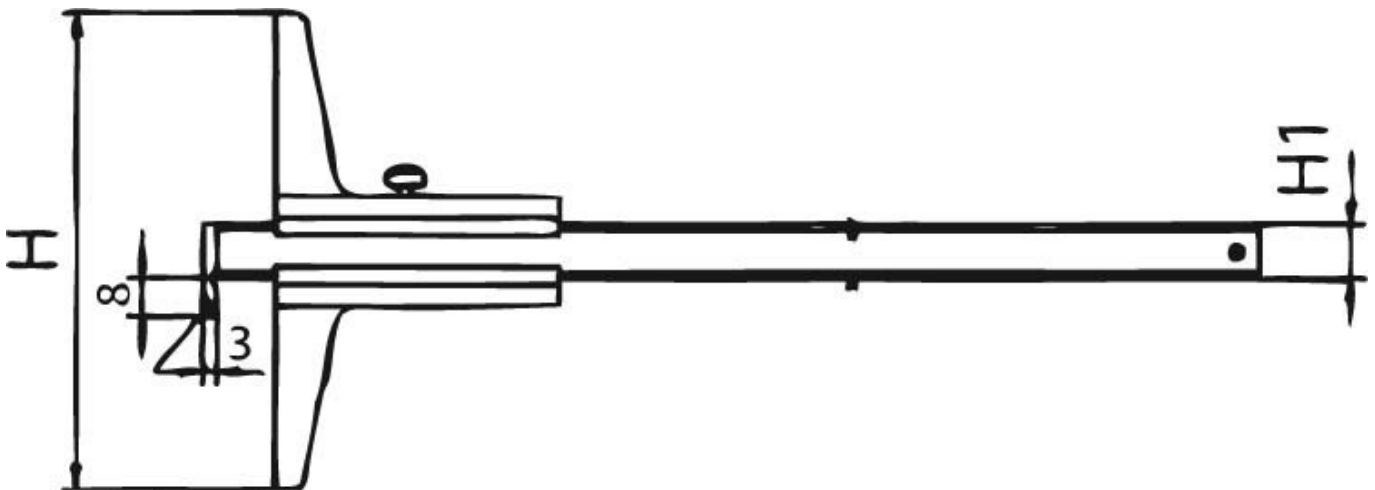
Description

The Measumax Vernier Depth Gauge is suitable for depth measurement. Instruments are manufactured to ISO 10012:2003.

Features

- Mono block stainless steel construction
- With screw at the back of the far end of the caliper bar
- Internal & external depth measurement
- Clear laser engraved graduations
- Supplied in plastic case

Specifications



| | |
|-------------------------|-------|
| ORDER CODE | Q2365 |
| Range (mm) | 300 |
| Accuracy (mm) | ±0.06 |
| Graduations (mm) | 0.05 |
| H (mm) | 102 |
| H1 (mm) | 11.5 |

MEASUMAX Vernier Depth Gauge 33-2365