

MEASUMAX 34-224

Dial Test Indicator - Metric



Measumax



MEASUMAX Dial Test Indicator - Metric 34-224

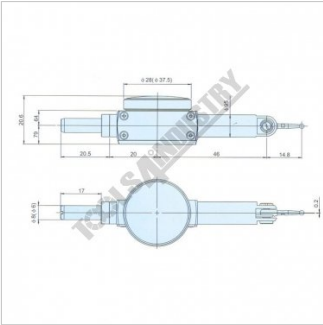


Diagram Dimensions

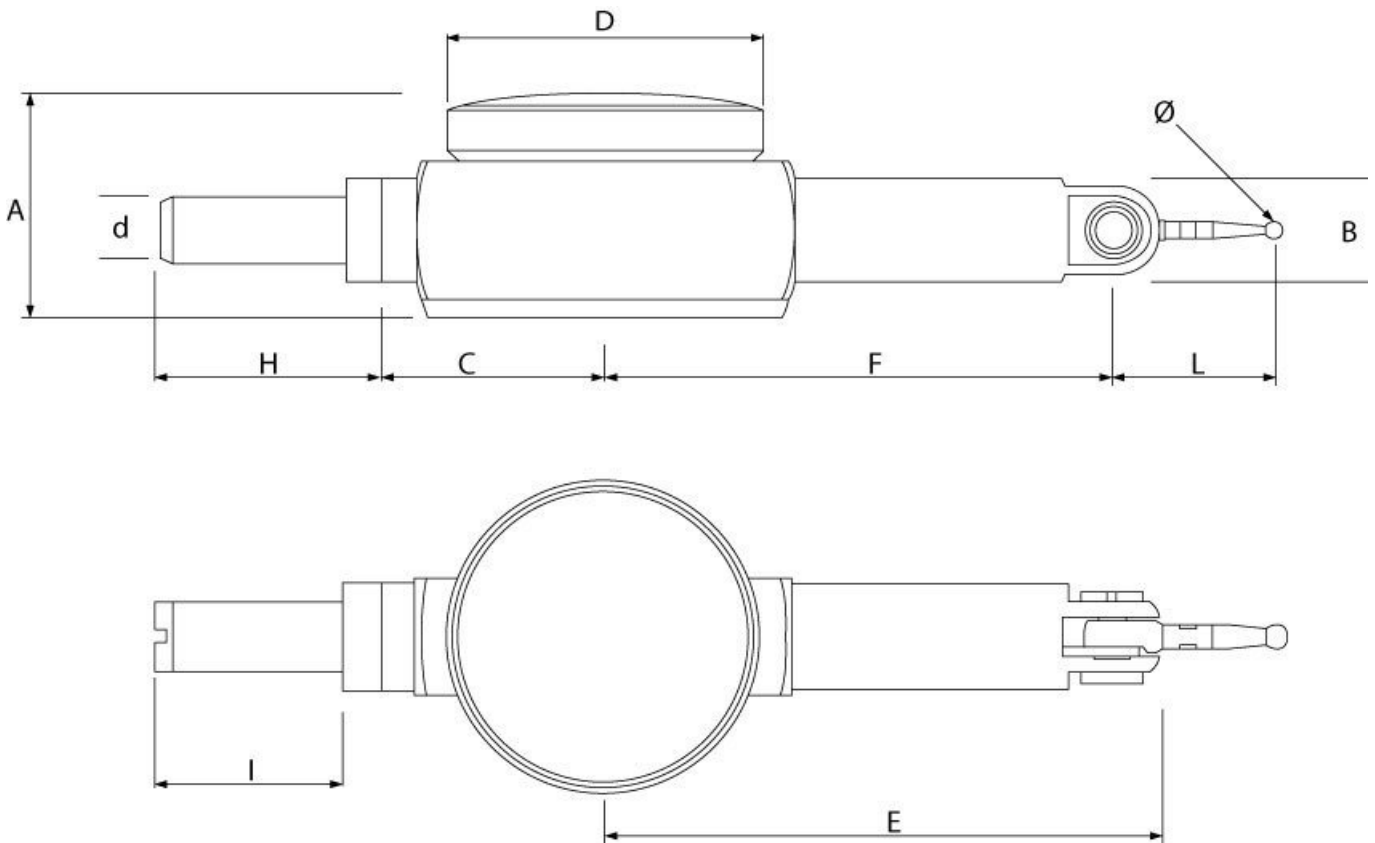
Description

The dial test indicator is ideally suited for all kinds of comparative measurements in the workshop and inspection room. because of its unique design it is suitable for measuring down pockets and holes

Features

- Large measuring range - Jewel movement
- Reversing Measuring direction
- Adjustable bezel face
- Sealed Bezel to keep out dirt and coolant
- Small round extension for easy access in pockets and holes

Specifications



MEASUMAX Dial Test Indicator - Metric 34-224

ORDER CODE

MEASUMAX Dial Test Indicator - Metric 34-224

Q224

Range	0 - 0.8mm
Graduations	0.01mm
A (mm)	20.6
B (mm)	9.5
B1 (mm)	~
C (mm)	20
D (mm)	Ø37.5
d (mm)	8 / 6
E (mm)	~
F (mm)	46
G (mm)	~
H (mm)	20.5
I (mm)	17
J	~
K (mm)	~
L (mm)	14.8
L1 (mm)	~
Ø (mm)	~