

MEASUMAX 34-223

Dial Test Indicator - Metric



Measumax



MEASUMAX Dial Test Indicator - Metric 34-223

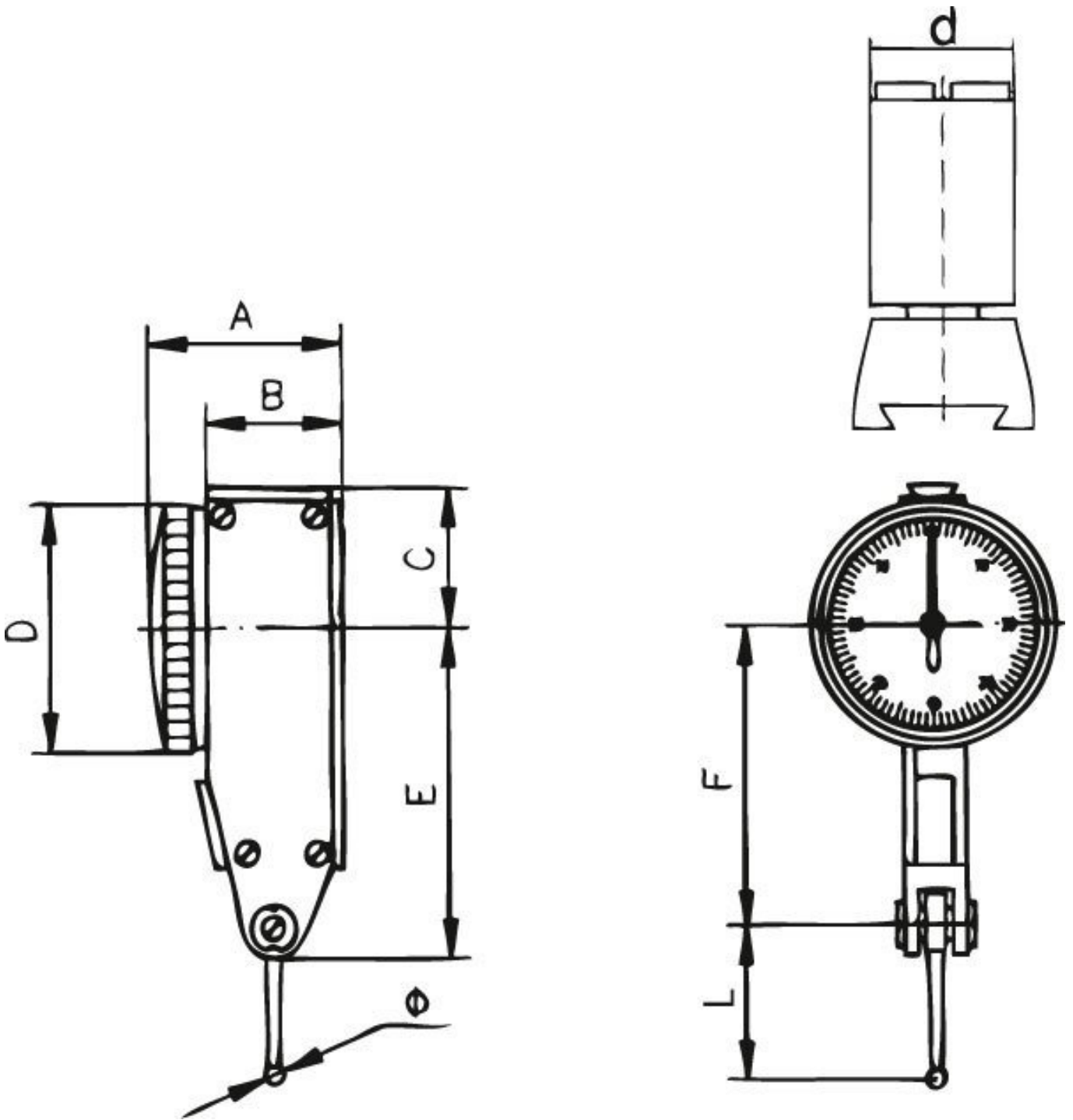
Side View

Features

- Smooth 10 jewel movement
- Ruby tipped stylus
- Flat glass
- Dovetail mounting slides
- Metal bezel
- Supplied in plastic case
- Accuracy 3 μ m

Specifications

MEASUMAX Dial Test Indicator - Metric 34-223



MEASUMAX Dial Test Indicator - Metric 34-223

ORDER CODE

MEASUMAX Dial Test Indicator - Metric 34-223

Q223

Range	0 - 1mm
Graduations	0.001mm
A (mm)	24
B (mm)	17.3
B1 (mm)	~
C (mm)	16.5
D (mm)	38.4
d (mm)	4 / 8
E (mm)	42.7
F (mm)	38.7
G (mm)	~
H (mm)	~
I (mm)	~
J	~
K (mm)	~
L (mm)	16
L1 (mm)	~
Ø (mm)	~