

**MEASUMAX 34-220**

**Digital Indicator**

**12.7mm / 0.5"**



**MeasumaX**

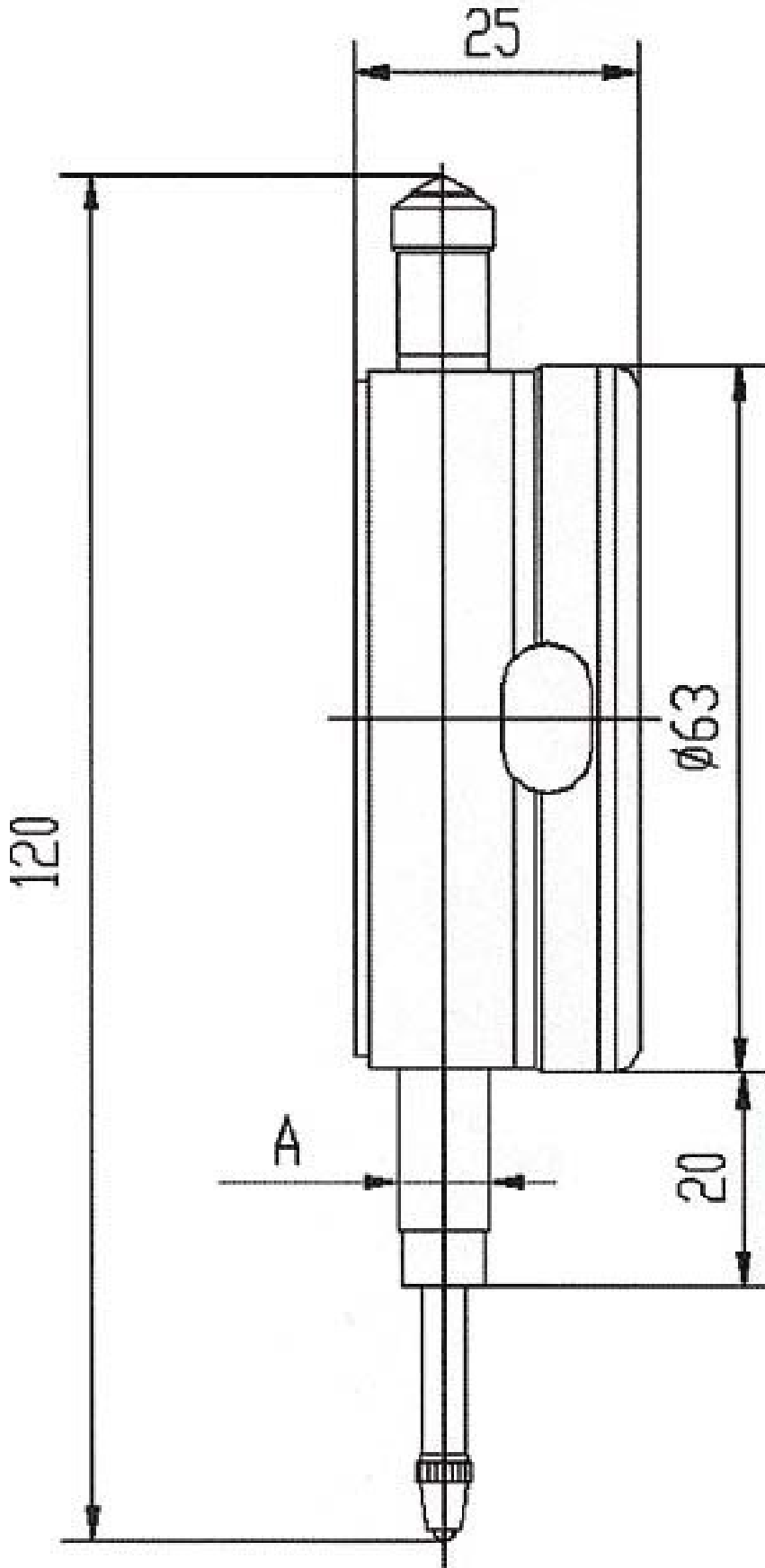


**MEASUMAX Digital Indicator 34-220****Features**

- Manual power On/Off
- Zero setting at any position
- Metric/Imperial system conversion at any position
- With data output interface (cable 40-4061)
- Max speed 1.5m/sec
- Power 1.5V, CR2025 battery

**Specifications**

**MEASUMAX Digital Indicator 34-220**



**MEASUMAX Digital Indicator 34-220**

**ORDER CODE**

**MEASUMAX Digital Indicator 34-220**

	Q220
<b>Range (mm / inch)</b>	12.7mm / 0.5"
<b>Resolution</b>	0.01mm / 0.0005"
<b>Accuracy</b>	0.009
<b>Diameter</b>	63
<b>A</b>	8