

MEASUMAX 34-2191



Measumax

Digital Test Indicator - Metric & Imperial



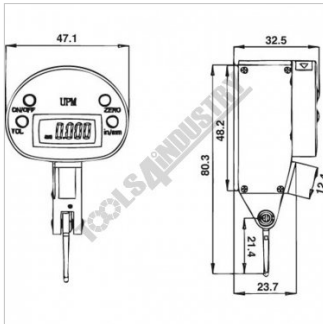
MEASUMAX Digital Test Indicator - Metric & Imperial 34-2191

Diagram Dimensions

Features

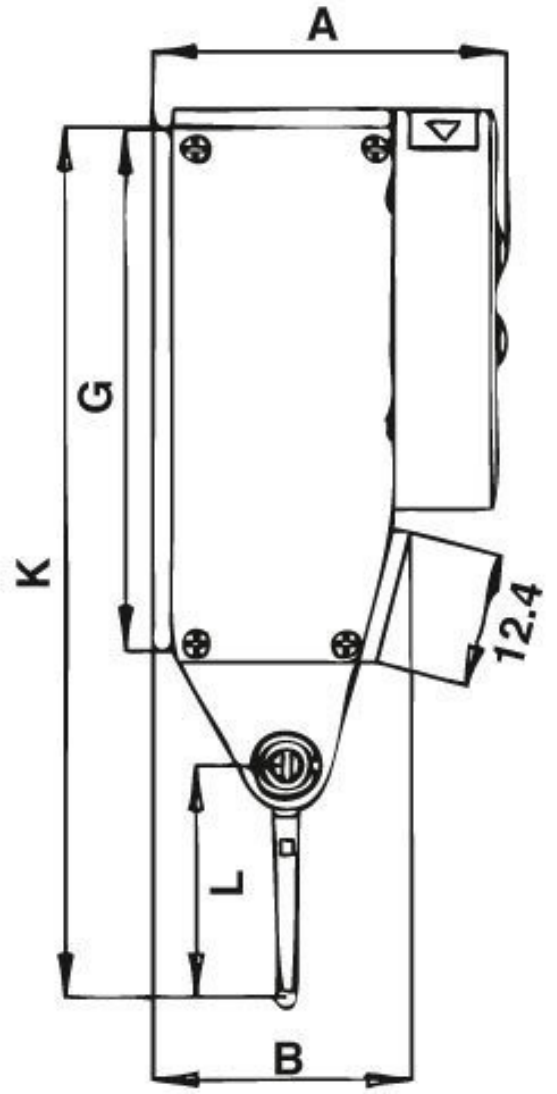
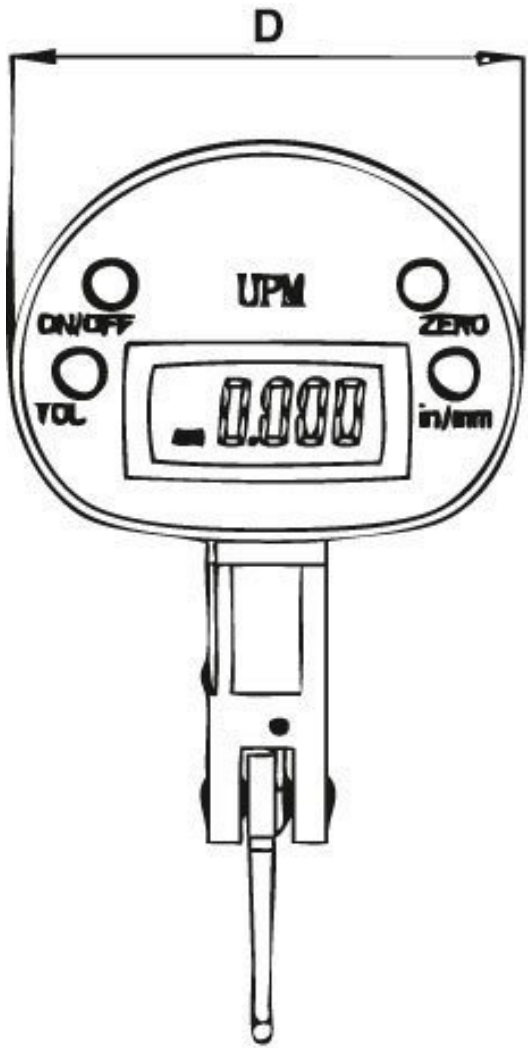
- Manual Power On/Off, Zero, Tolerance & Metric/Imperial buttons
- Zero setting at any position
- Metric/Imperial system conversion at any position
- With data output interface (Cable 40-406)
- Low measuring force

Includes

- Includes SR44 battery

Specifications

MEASUMAX Digital Test Indicator - Metric & Imperial 34-2191



MEASUMAX Digital Test Indicator - Metric & Imperial 34-2191

ORDER CODE

MEASUMAX Digital Test Indicator - Metric & Imperial 34-2191

Q2191

Range	±0.5mm / ±0.02"
Graduations	0.003mm
A (mm)	32.5
B (mm)	23.7
B1 (mm)	~
C (mm)	~
D (mm)	47.1
d (mm)	~
E (mm)	~
F (mm)	~
G (mm)	48.2
H (mm)	~
I (mm)	~
J	~
K (mm)	80.3
L (mm)	21.4
L1 (mm)	~
Ø (mm)	~