

**MEASUMAX 34-219**



**Digital Test Indicator - Metric & Imperial**



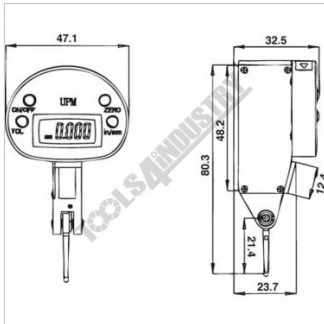
**MEASUMAX Digital Test Indicator - Metric & Imperial 34-219**

Diagram Dimensions

**Features**

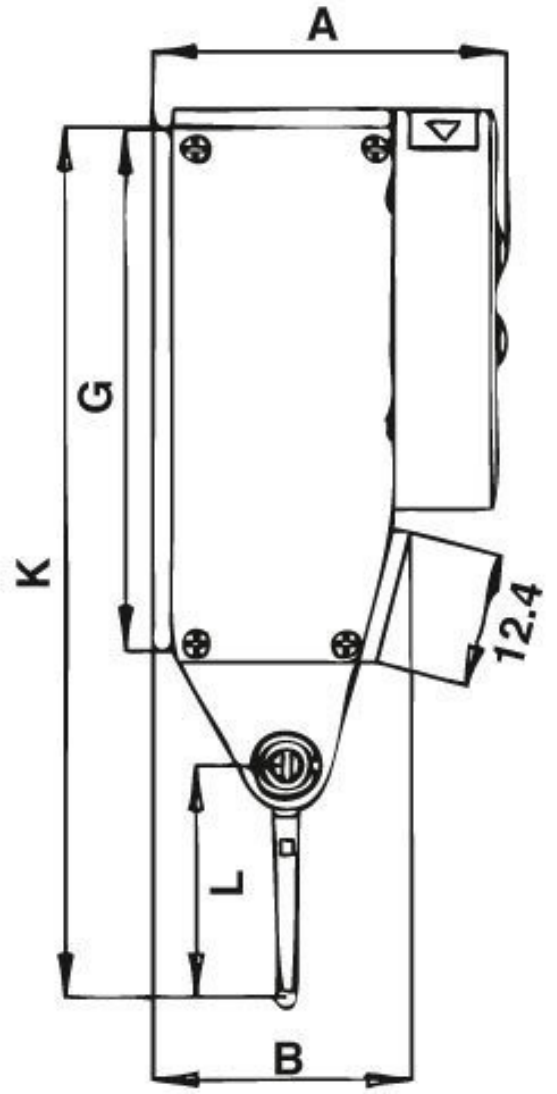
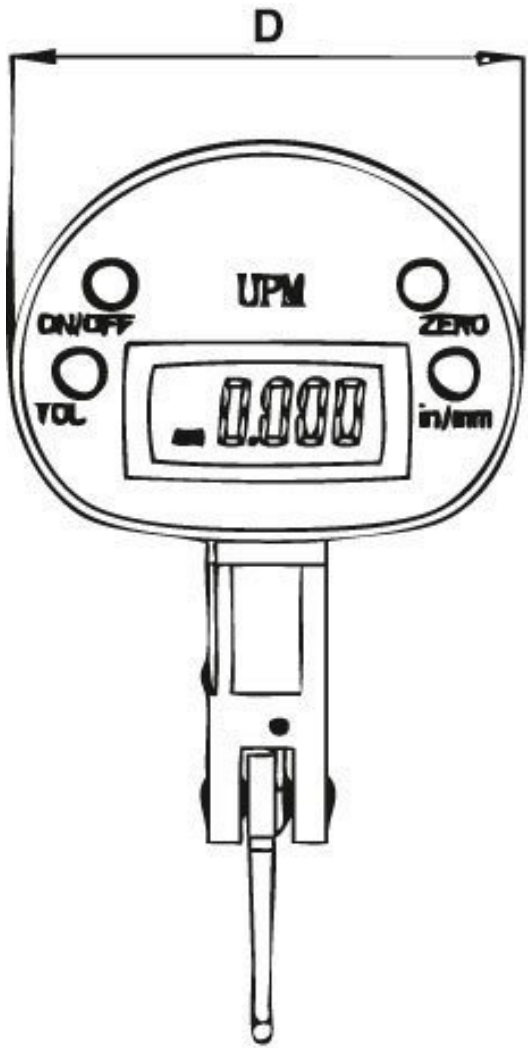
- Manual Power On/Off, Zero, Tolerance & Metric/Imperial buttons
- Zero setting at any position
- Metric/Imperial system conversion at any position
- With data output interface (Cable 40-406)
- Low measuring force

**Includes**

- Includes LR44 battery

**Specifications**

**MEASUMAX Digital Test Indicator - Metric & Imperial 34-219**



**MEASUMAX Digital Test Indicator - Metric & Imperial 34-219**

**ORDER CODE**

**MEASUMAX Digital Test Indicator - Metric & Imperial 34-219**

Q219

<b>Range</b>	±0.5mm / ±0.02"
<b>Graduations</b>	0.003mm
<b>A (mm)</b>	32.5
<b>B (mm)</b>	23.7
<b>B1 (mm)</b>	~
<b>C (mm)</b>	~
<b>D (mm)</b>	47.1
<b>d (mm)</b>	~
<b>E (mm)</b>	~
<b>F (mm)</b>	~
<b>G (mm)</b>	48.2
<b>H (mm)</b>	~
<b>I (mm)</b>	~
<b>J</b>	~
<b>K (mm)</b>	80.3
<b>L (mm)</b>	21.4
<b>L1 (mm)</b>	~
<b>Ø (mm)</b>	~