

**MEASUMAX 34-218**

**Dial Test Indicator - Metric**

**Gradient of 12 degrees On Dial Face**



**Measumax**



## MEASUMAX Dial Test Indicator - Metric 34-218



Rear Mounting



Top Mounting

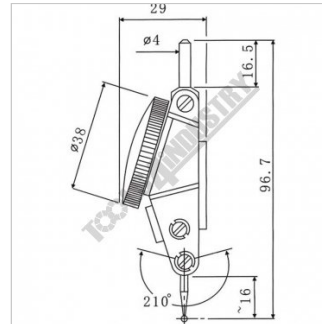


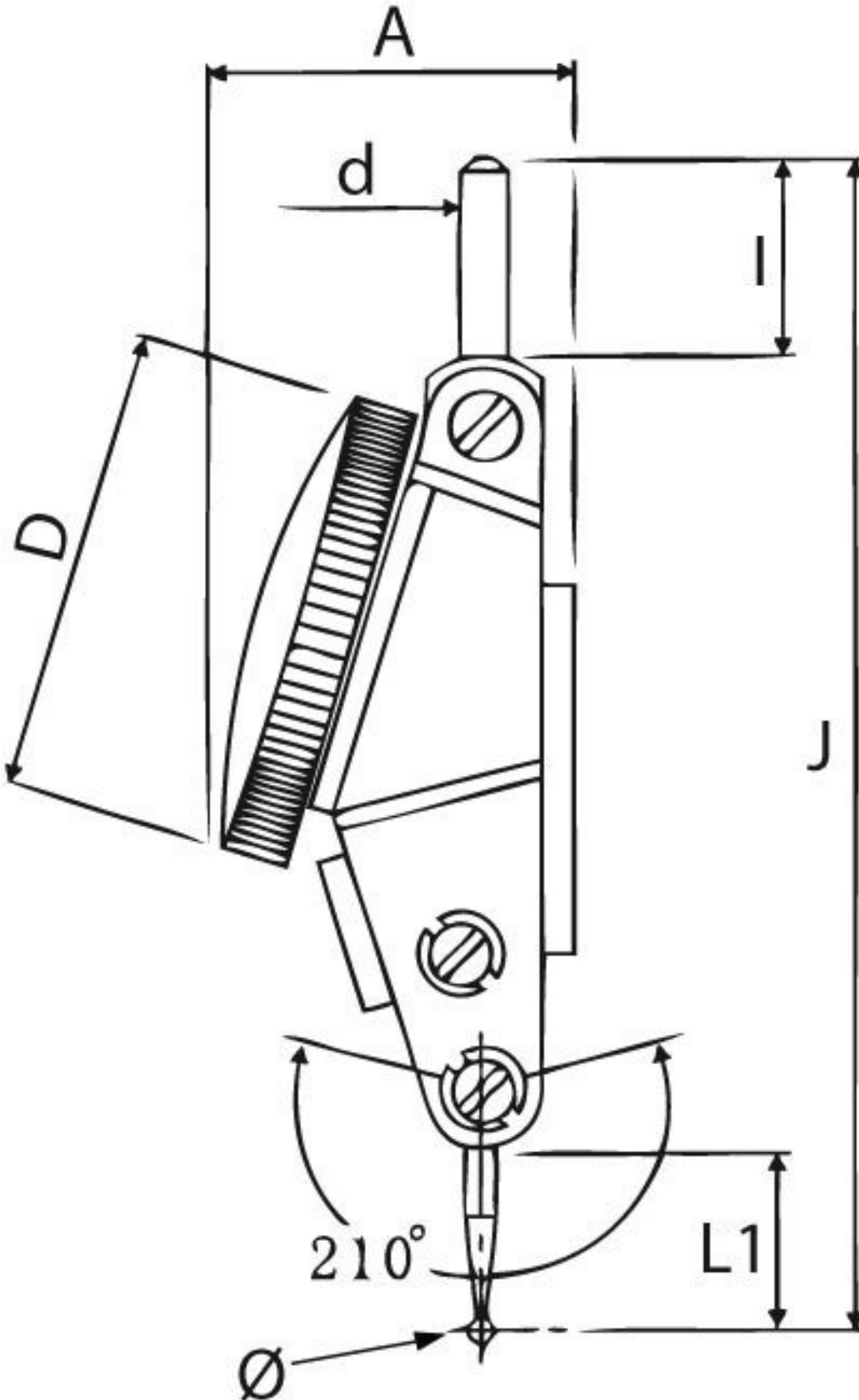
Diagram Dimensions

### Features

- Large measuring range - 1.6mm - +1.6mm
- Measurement in both directions - steel ball end
- Gradient of 12 degrees on dial face
- Mono enclosure for air tight seal

### Specifications

**MEASUMAX Dial Test Indicator - Metric 34-218**



**MEASUMAX Dial Test Indicator - Metric 34-218**

**ORDER CODE**

**MEASUMAX Dial Test Indicator - Metric 34-218**

Q218

<b>Range</b>	±1.6mm
<b>Graduations</b>	0.01mm
<b>A (mm)</b>	31.2
<b>B (mm)</b>	~
<b>B1 (mm)</b>	~
<b>C (mm)</b>	~
<b>D (mm)</b>	Ø38
<b>d (mm)</b>	4 / 8
<b>E (mm)</b>	~
<b>F (mm)</b>	~
<b>G (mm)</b>	~
<b>H (mm)</b>	~
<b>I (mm)</b>	16.5
<b>J</b>	99
<b>K (mm)</b>	~
<b>L (mm)</b>	~
<b>L1 (mm)</b>	19
<b>Ø (mm)</b>	2.5