

MEASUMAX 34-2175

Dial Test Indicator - Metric

Ø2mm Carbide Ball End



Measumax



MEASUMAX Dial Test Indicator - Metric 34-2175



Side View



Figure 1

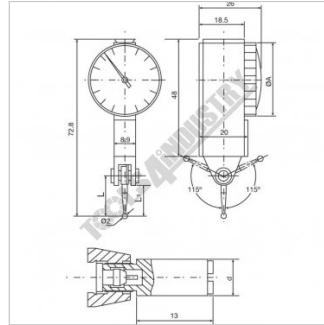


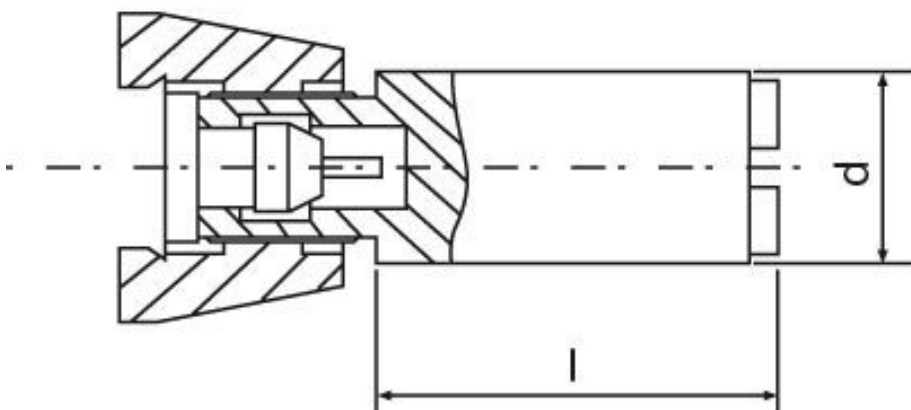
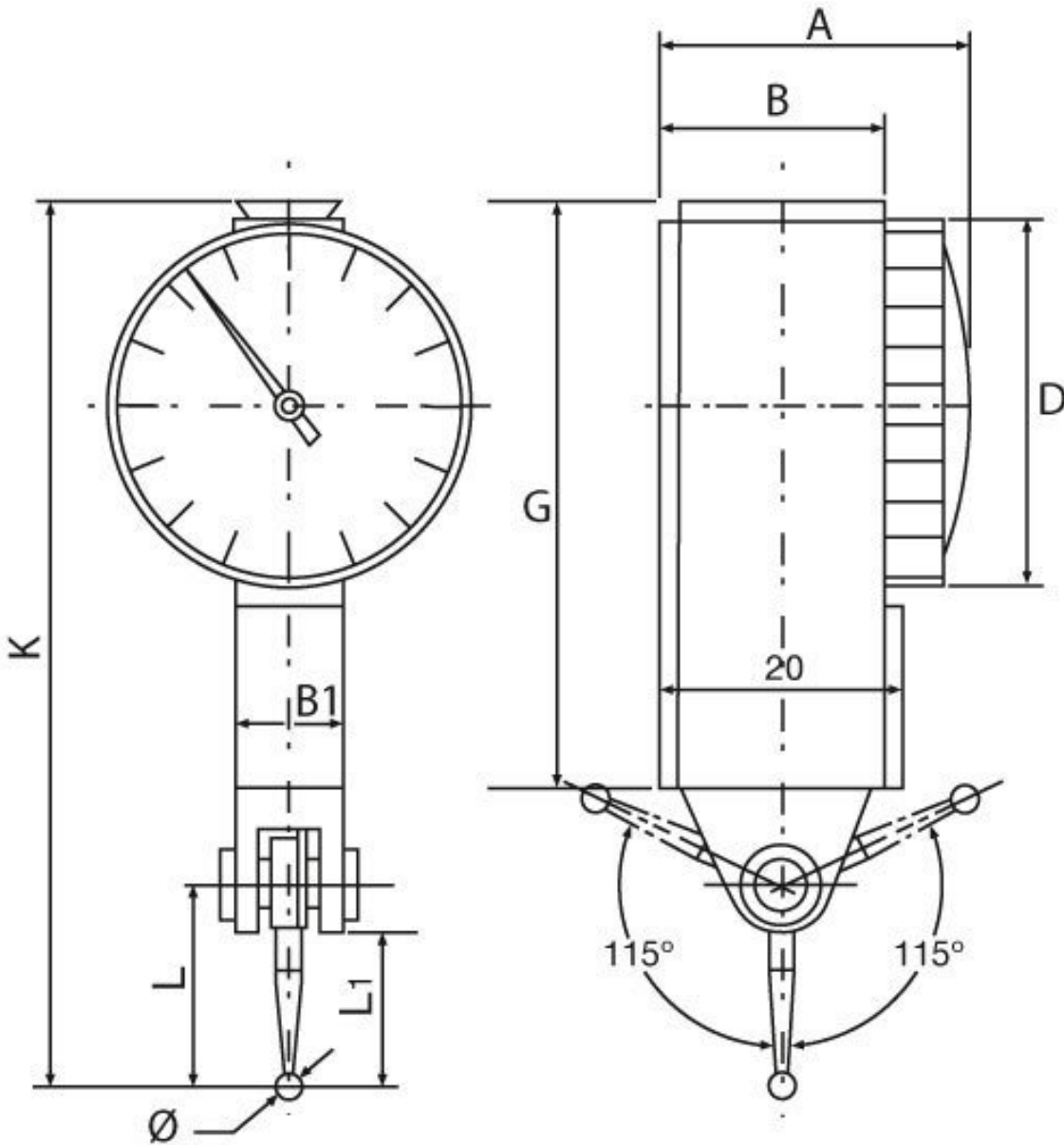
Diagram Dimensions

Features

- High quality brass main bodies, high resistance to magnetism
- Jewelled, vibration proof, durable steel ball
- Metal bezel
- Pivot ball bearing
- Three dovetails

Specifications

MEASUMAX Dial Test Indicator - Metric 34-2175



MEASUMAX Dial Test Indicator - Metric 34-2175

ORDER CODE

MEASUMAX Dial Test Indicator - Metric 34-2175

Q2175

Range	0 - 0.8mm
Graduations	0.01mm
A (mm)	26
B (mm)	18.5
B1 (mm)	8.9mm
C (mm)	16.5
D (mm)	Ø37.5
d (mm)	6 / 8
E (mm)	42.7
F (mm)	38.7
G (mm)	48
H (mm)	~
I (mm)	13
J	~
K (mm)	72.8
L (mm)	46.4
L1 (mm)	42.4
Ø (mm)	2