

MEASUMAX 34-2171

Dial Test Indicator - Imperial

Jewel Movement - Measuring In Both Directions



Measumax



MEASUMAX Dial Test Indicator - Imperial 34-2171



Rear Mounting



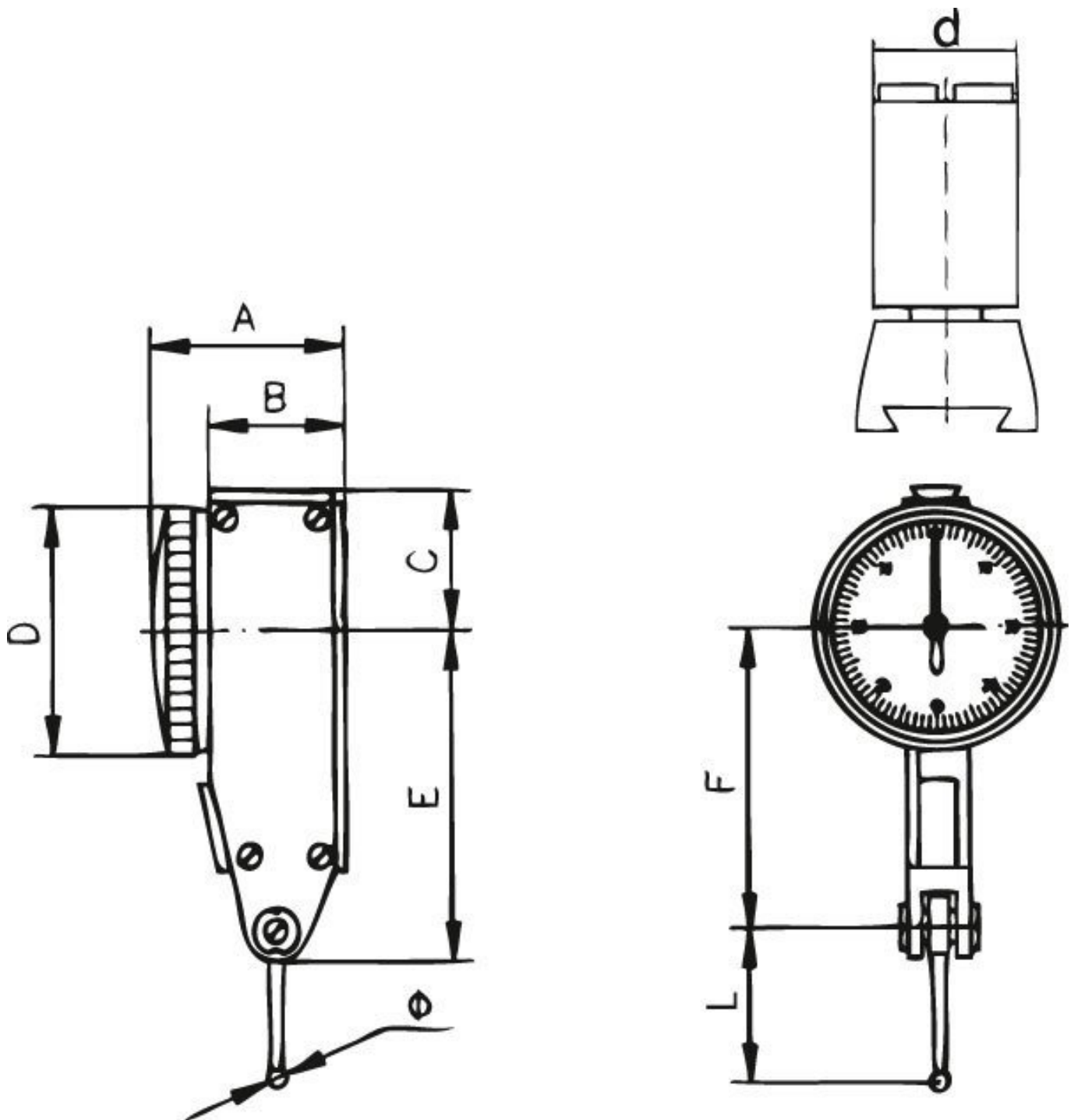
Front Mounting

Features

- The dial test indicator is ideally suited for all kinds of comparative measurements in the workshop and inspection room
- It also can be used together with machine tools, apparatus and other measuring devices - Steel ball end
- Jewel movement - measuring in both directions

Specifications

MEASUMAX Dial Test Indicator - Imperial 34-2171



MEASUMAX Dial Test Indicator - Imperial 34-2171

ORDER CODE

MEASUMAX Dial Test Indicator - Imperial 34-2171

Q2171

Range	0 - 0.03"
Graduations	0.0005"
A (mm)	24.5
B (mm)	17.3
B1 (mm)	~
C (mm)	16.6
D (mm)	Ø31.2
d (mm)	3.95 / 9.5
E (mm)	42.6
F (mm)	38.7
G (mm)	~
H (mm)	~
I (mm)	~
J	~
K (mm)	~
L (mm)	19
L1 (mm)	~
Ø (mm)	2